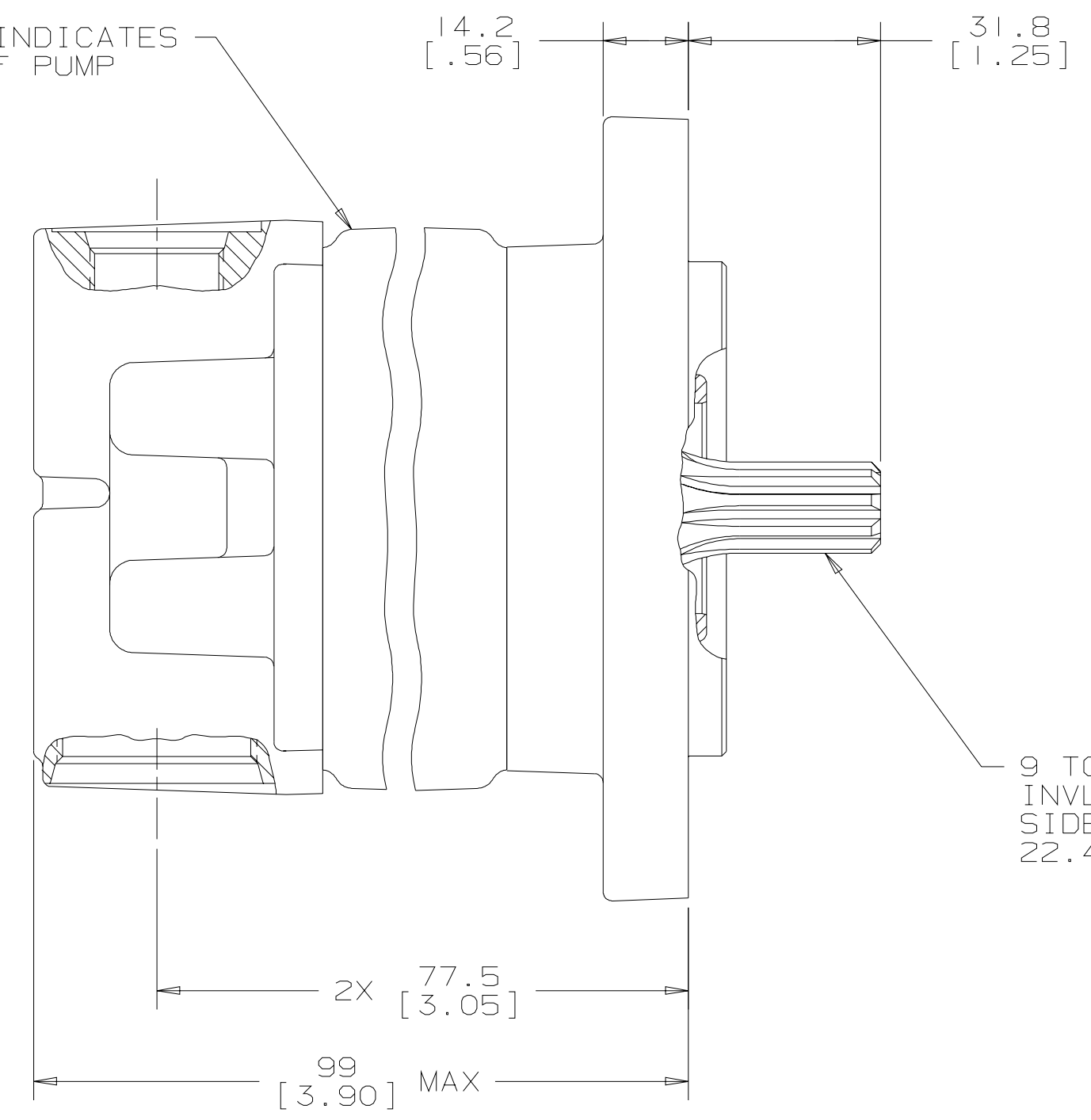
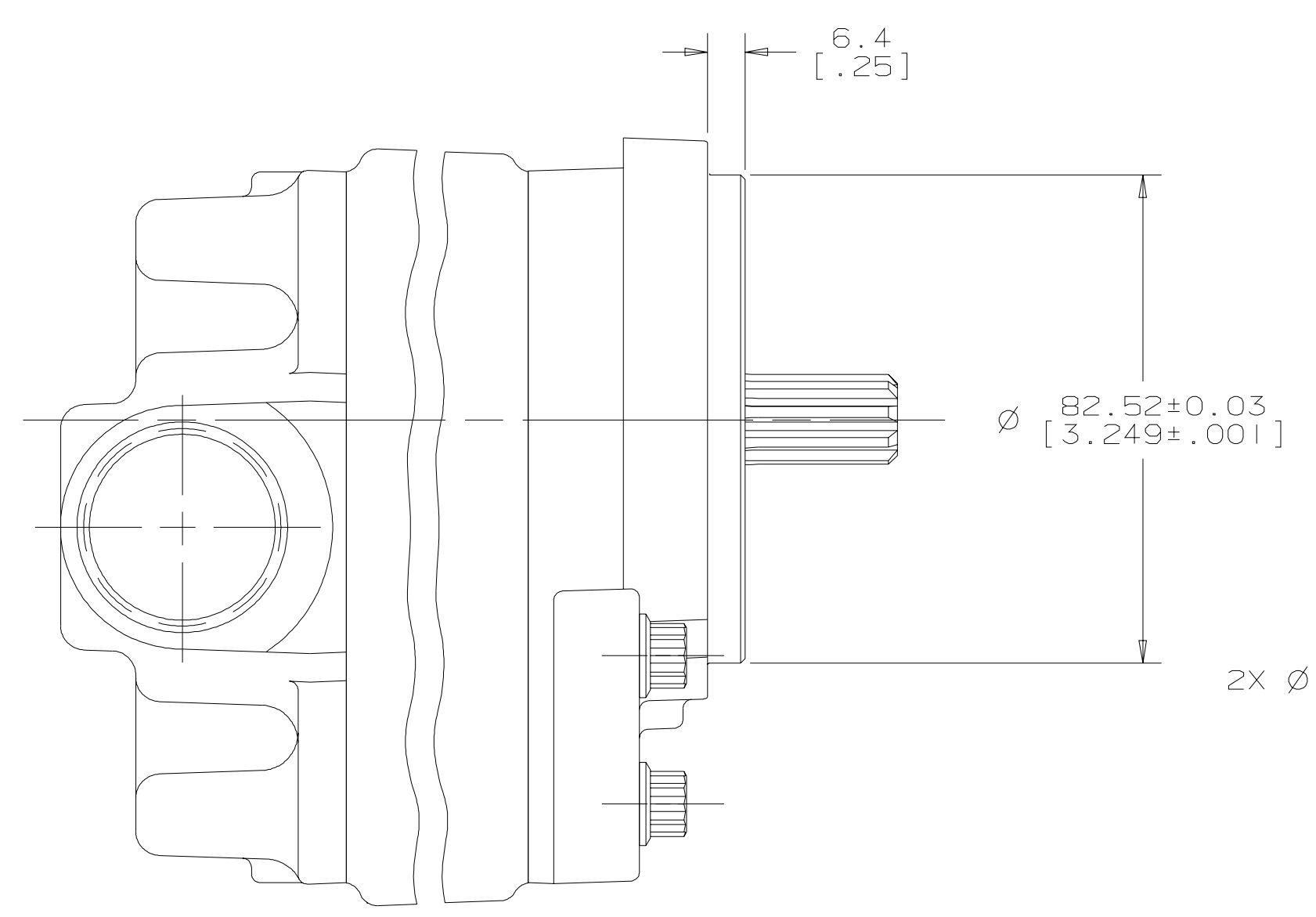
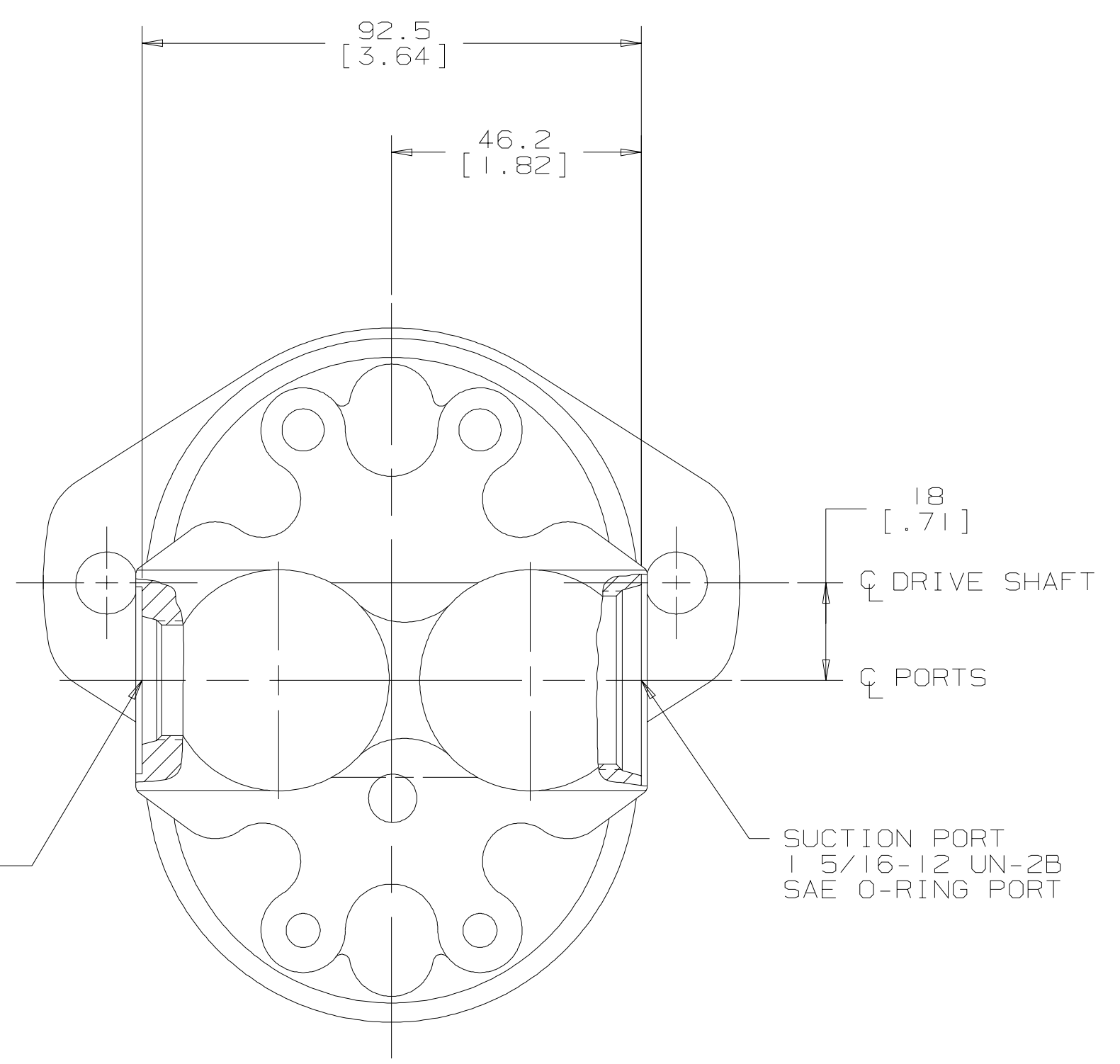


REV	DESCRIPTION	BY	CHK	DATE	ECN
A	ENGINEERING RELEASE	LMD	MLL	4-3-98	M19434
B	-1) (6D) ADDED NOTE "H" ON BODY SECTION... -2) DELETED BOLT MARKINGS -3) UPDATED BACKPLATE	WSM	WSM	11/27/98	31483

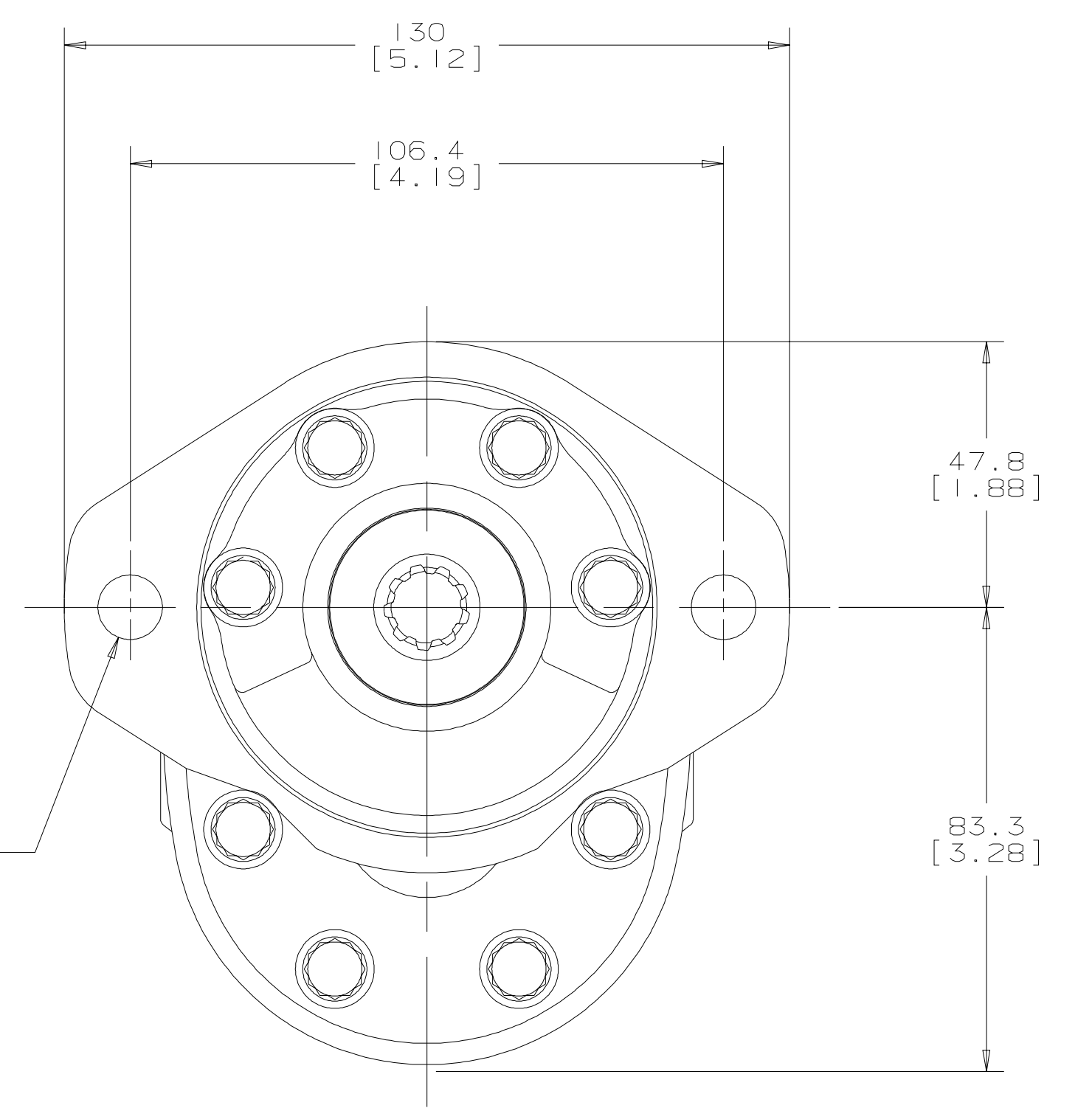
"H" ON BODY SECTION INDICATES HIGH PRESSURE SIDE OF PUMP



9 TOOTH 16/32 DP 30° INVLT FLAT ROOT CLASS I SIDE FIT SPLINE SAE J4986b 22.4 [.88] MIN FULL SPLINE



2x $\varnothing 11.56 \pm 0.13 [.455 \pm .005]$



UNLESS OTHERWISE SPECIFIED ALL DIMENSIONS ARE IN INCHES <input type="checkbox"/> MILLIMETERS <input checked="" type="checkbox"/>		DRAWING BASED ON ANSI Y14.5M-1982	
THE REPRODUCTION, DISTRIBUTION, AND UTILIZATION OF THIS DOCUMENT, AS WELL AS THE COMMUNICATION OF ITS CONTENTS TO OTHERS WITHOUT EXPLICIT AUTHORIZATION IS PROHIBITED. OFFENDERS WILL BE HELD LIABLE FOR THE PAYMENT OF DAMAGES. ALL RIGHTS RESERVED IN THE EVENT OF THE GRANT OF A PATENT, UTILITY MODEL, OR DESIGN. (PER ISO 16016)		Danfoss	
TOLERANCES .X +--- .XX +REF .XXX +ONLY /---	DRWN BY/DATE LMD 4-6-98 CHKD BY/DATE MLL 4-6-98 ENGR BY/DATE JLY 4-6-98	MATERIAL/HEAT TREAT	TITLE GEAR PUMP INSTALLATION
UNSPECIFIED RADI ARE UNSPECIFIED DRAFT ANGLES ARE	METALLURGY THIRD ANGLE PROJECTION	MICROINCHES MICROMETERS	
DRAWING FORMAT CADD <input checked="" type="checkbox"/> MANUAL <input type="checkbox"/>	DO NOT SCALE	ARTHEMATICAL AVERAGE	SCALE 1/1 SHEET 1 OF 1