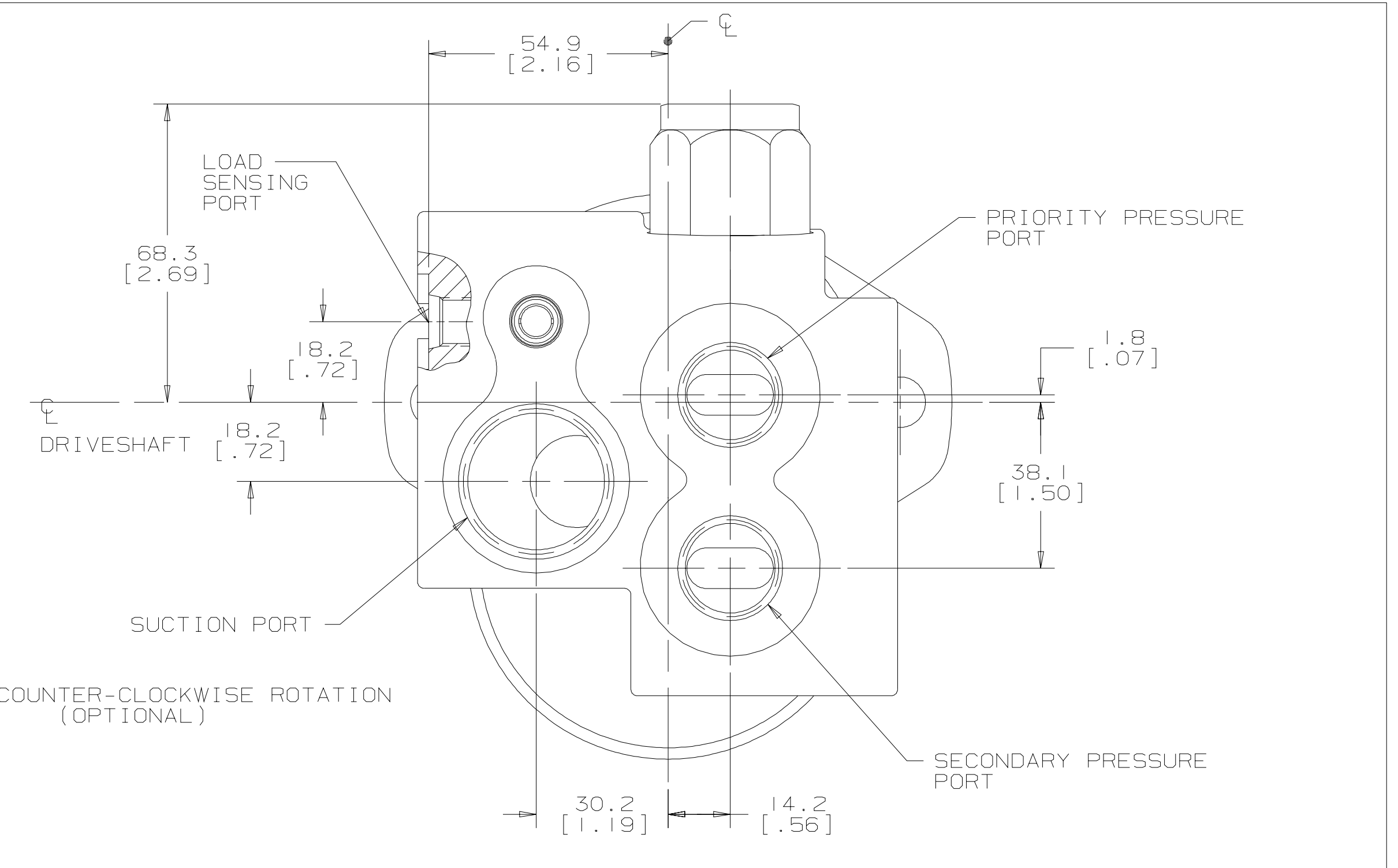
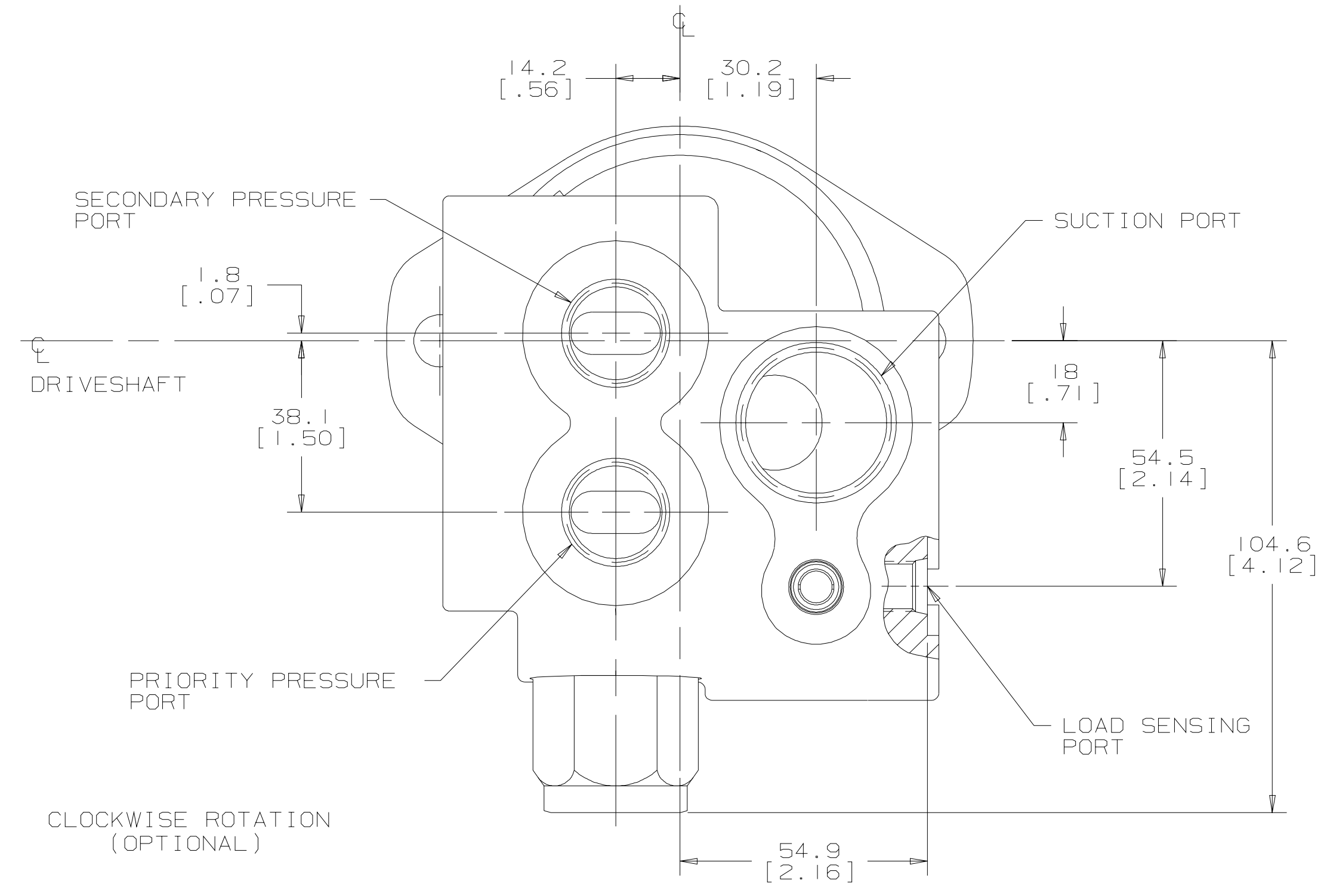
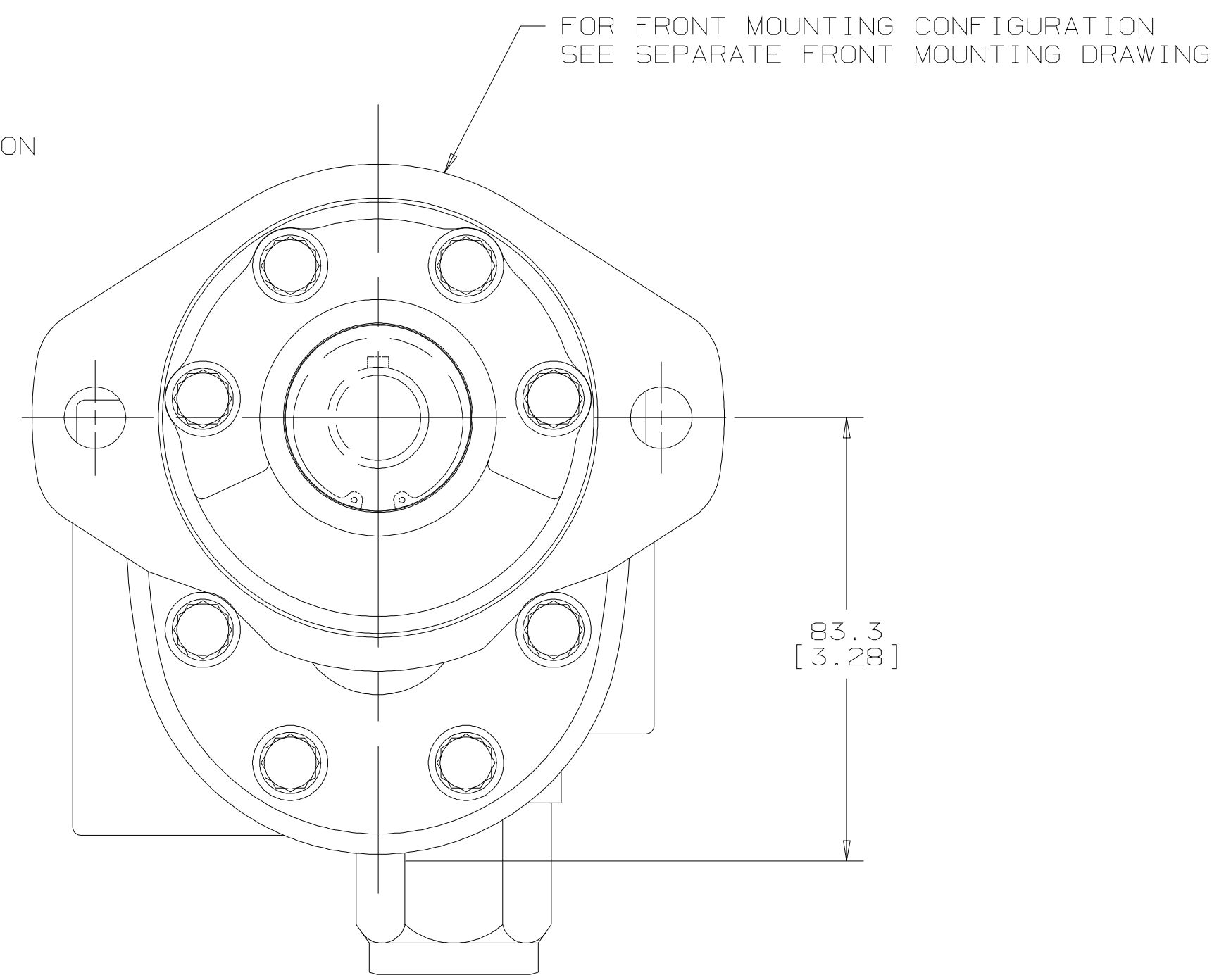
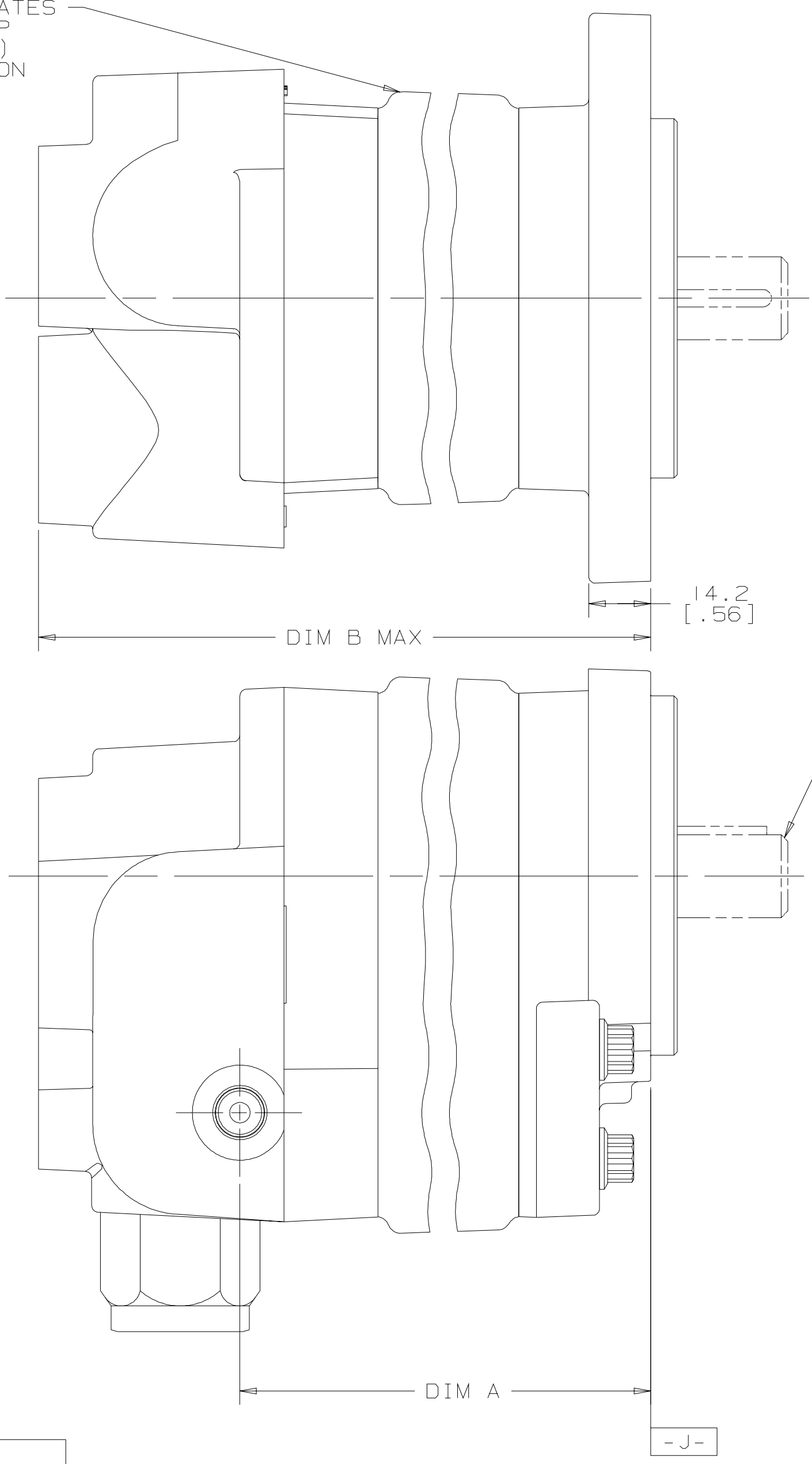


DISPLACEMENT	DIM A	DIM B MAX
	FRONT MOUNT 2 BOLT A AND B	FRONT MOUNT 2 BOLT A AND B
5.1 cm3/r [.31 in3/r]	76.5[3.01]	124.5[4.90]
6.6 cm3/r [.40 in3/r]	78.2[3.08]	126.2[4.97]
8.2 cm3/r [.50 in3/r]	80.1[3.15]	128.1[5.04]
9.5 cm3/r [.58 in3/r]	81.5[3.21]	129.5[5.10]
10.8 cm3/r [.66 in3/r]	83.3[3.28]	131.3[5.17]
11.8 cm3/r [.72 in3/r]	85.5[3.37]	132.2[5.21]
13.8 cm3/r [.84 in3/r]	86.5[3.40]	134.5[5.29]
16.7 cm3/r [1.02 in3/r]	89.7[3.53]	137.7[5.42]
19.7 cm3/r [1.20 in3/r]	92.9[3.66]	140.9[5.55]
22.4 cm3/r [1.37 in3/r]	96.1[3.78]	144.1[5.67]
24.3 cm3/r [1.48 in3/r]	98.4[3.88]	146.5[5.77]
25.2 cm3/r [1.54 in3/r]	99.3[3.91]	147.3[5.80]
27.7 cm3/r [1.69 in3/r]	102.5[4.03]	150.5[5.92]
29 cm3/r [1.77 in3/r]	104.1[4.10]	152.1[5.99]
30.6 cm3/r [1.87 in3/r]	105.7[4.16]	153.7[6.05]
35.1 cm3/r [2.14 in3/r]	111.2[4.38]	159.2[6.27]

"H" ON BODY SECTION INDICATES HIGH PRESSURE SIDE OF PUMP (CLOCKWISE ROTATION SHOWN) (COUNTER-CLOCKWISE ROTATION OPTIONAL)

REV	DESCRIPTION	BY	CHK	DATE	ECN
A	ENGINEERING RELEASE	LMD	JLY	1-8-98	M18815A
B	-1)(6D)ADDED NOTE "H" ON BODY SECTION... -2)DELETED BOLT MARKINGS	WSM	WSM	11/27/98	31483
C	(2B)REVISED PICTORIALY	CEW	CEW	12-4-03	M60503



UNLESS OTHERWISE SPECIFIED ALL DIMENSIONS ARE IN: INCHES <input type="checkbox"/> MILLIMETERS <input checked="" type="checkbox"/>		DRAWING BASED ON ANSI Y14.5M-1982		
THE REPRODUCTION, DISTRIBUTION, AND UTILIZATION OF THIS DOCUMENT, AS WELL AS THE COMMUNICATION OF ITS CONTENTS TO OTHERS WITHOUT EXPLICIT AUTHORIZATION IS PROHIBITED. OFFENDERS WILL BE HELD LIABLE FOR THE PAYMENT OF DAMAGES. ALL RIGHTS RESERVED IN THE EVENT OF THE GRANT OF A PATENT, UTILITY MODEL, OR DESIGN. (PER ISO 16016)		MATERIAL/HEAT TREAT		
TOLERANCES .X ±----- .XX ±REF .XXX ±ONLY ∠-----	DRWN BY/DATE LMD 1-23-98	CHECKED BY/DATE JLY 1-30-98		TITLE GEAR PUMP INSTALLATION
UNSPECIFIED RADII ARE -----	ENGR BY/DATE JLY 1-30-98	METALLURGY ----- BY/DATE		NUMBER A-1115-001
UNSPECIFIED DRAFT ANGLES ARE -----	THIRD ANGLE PROJECTION	MICROINCHES (MICROINCHES)	SCALE 1/1	SHEET 1 OF 1
DRAWING FORMAT CAD <input checked="" type="checkbox"/> MANUAL <input type="checkbox"/>	DO NOT SCALE	ARTHEMATICAL AVERAGE		