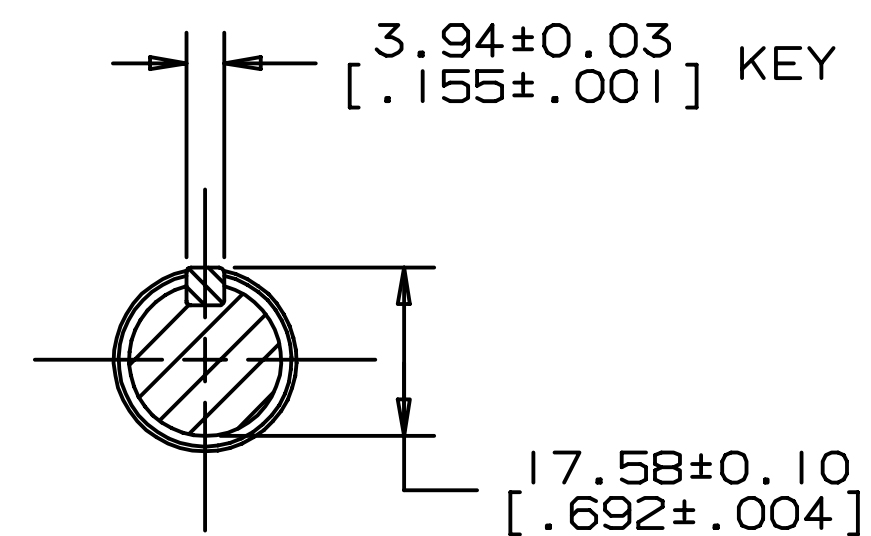
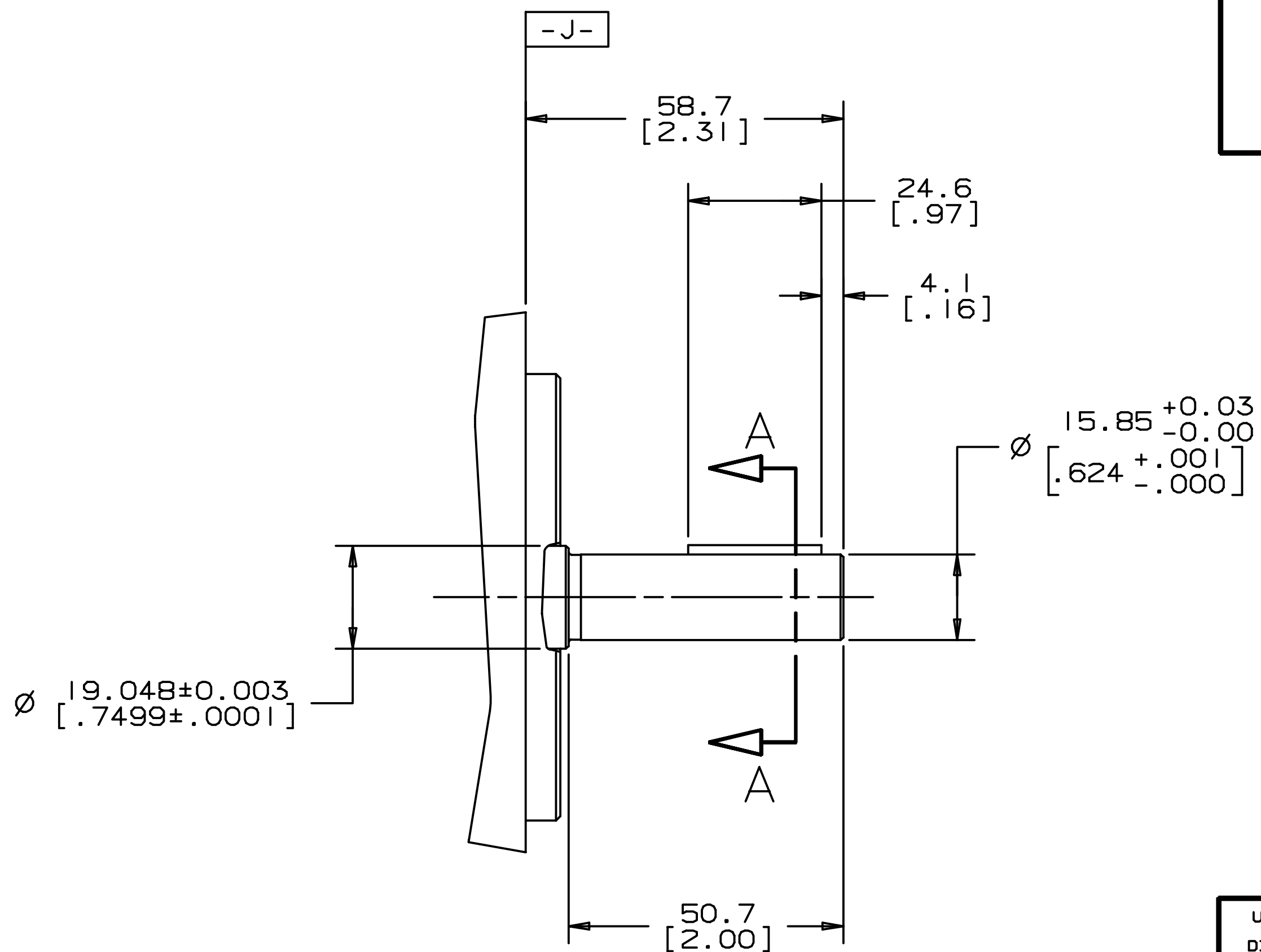


REV	DESCRIPTION	BY	CHK	DATE	ECN
A	ENGINEERING RELEASE	JLY	MLL	12-21-95	MI 4668



SECTION A - A

G H

UNLESS OTHERWISE SPECIFIED ALL DIMENSIONS ARE IN INCHES <input type="checkbox"/> MILLIMETERS <input checked="" type="checkbox"/> TOLERANCES .X ± ---- .XX ± REF .XXX ± ONLY < ± ---- UNSPECIFIED RADII ARE ----- UNSPECIFIED DRAFT ANGLES ARE ----- DRAWING FORMAT CADD <input checked="" type="checkbox"/> MANUAL <input type="checkbox"/>	DRAWING BASED ON ANSI Y14.5M-1982	
	THE REPRODUCTION, DISTRIBUTION, AND UTILIZATION OF THIS DOCUMENT, AS WELL AS THE COMMUNICATION OF ITS CONTENTS TO OTHERS WITHOUT EXPLICIT AUTHORIZATION IS PROHIBITED. OFFENDERS WILL BE HELD LIABLE FOR THE PAYMENT OF DAMAGES. ALL RIGHTS RESERVED IN THE EVENT OF THE GRANT OF A PATENT, UTILITY MODEL, OR DESIGN. (PER ISO 16016)	
DRAWN BY/DATE J L YCHO 1-29-96	MATERIAL/HEAT TREAT	
CHECKED BY/DATE MLL 4/22/96	TITLE SHAFT INSTALLATION	
ENGRG BY/DATE RJA 4/23/96	MICROINCHES <input type="checkbox"/> MICROMETERS <input type="checkbox"/> [MICROINCHES]	
METALLURGY BY/DATE -----	NUMBER A-349-093	
THIRD ANGLE PROJECTION	DO NOT SCALE	ARITHMETICAL AVERAGE <input checked="" type="checkbox"/> SCALE 1/1 SHEET 1 OF 1

Danfoss