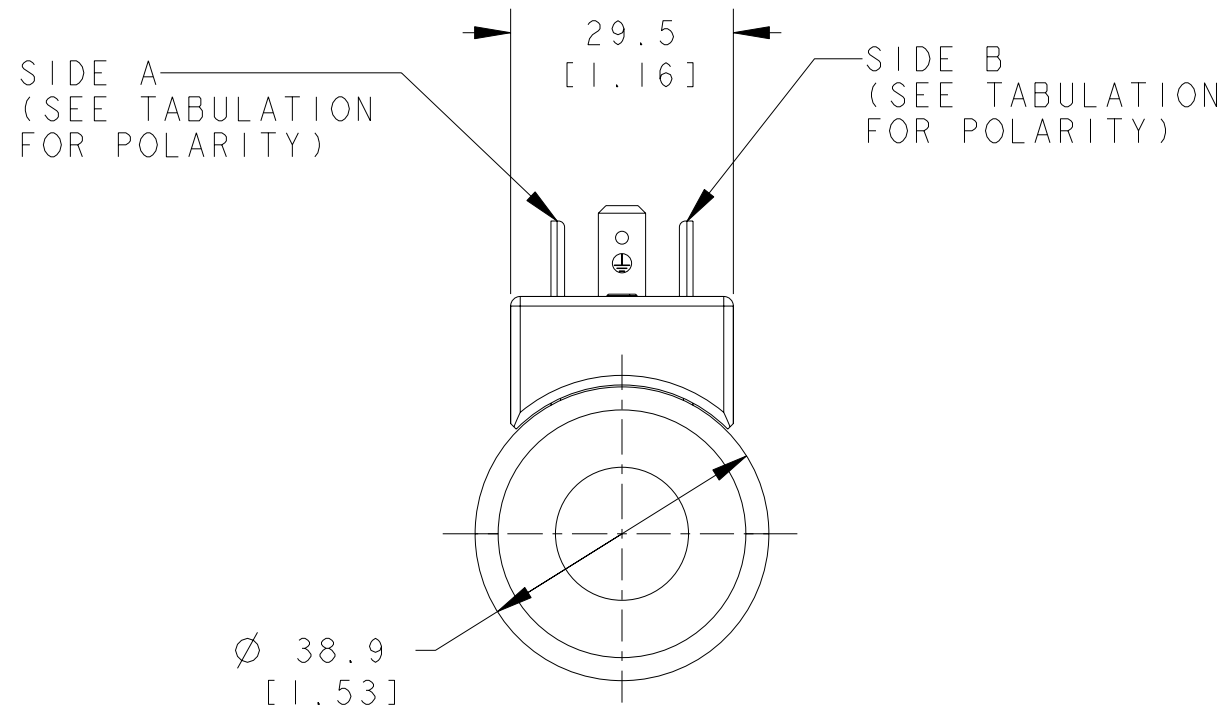
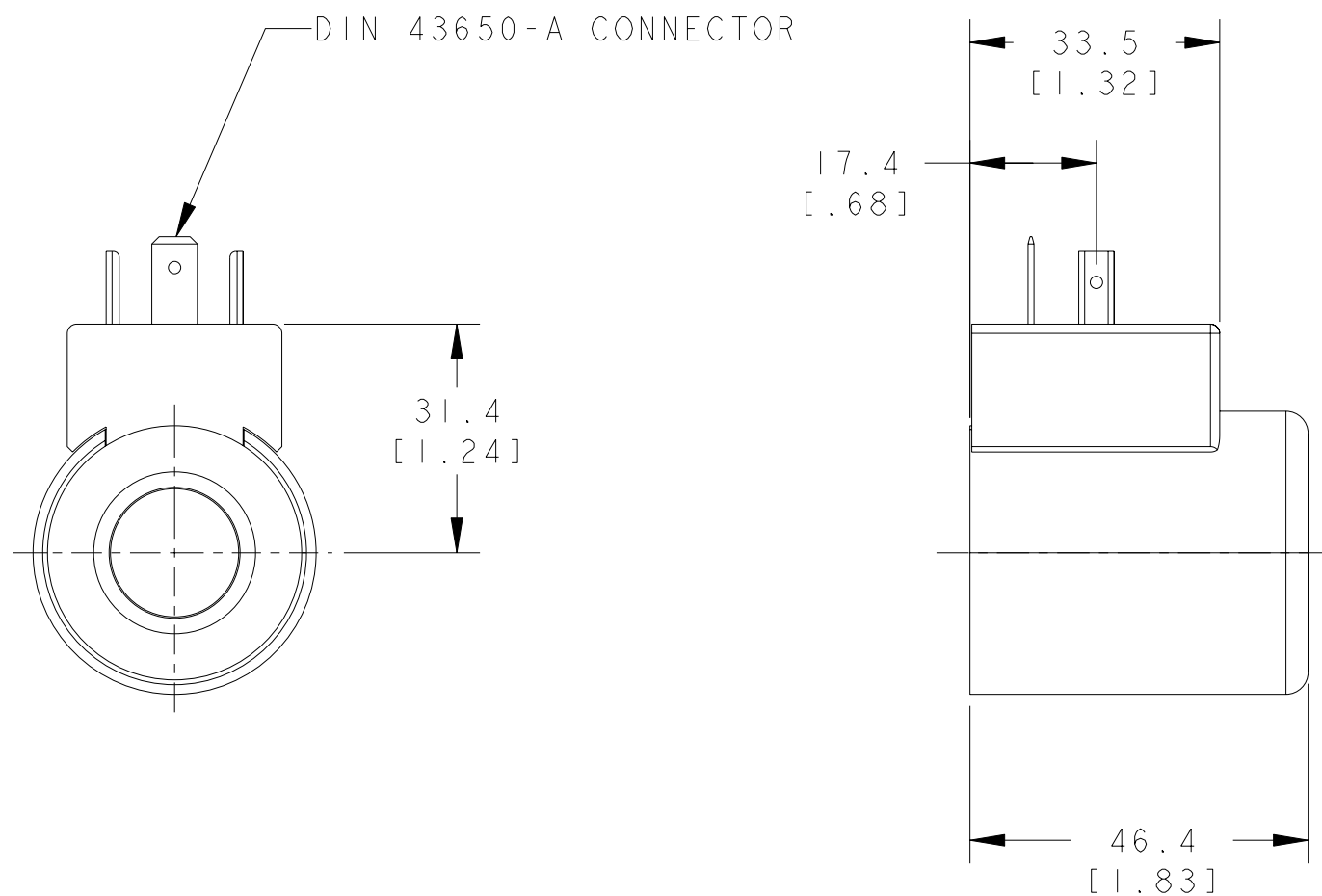


NUMBER	SIDE A POLARITY	SIDE B POLARITY
A-2503-001	N/A	N/A
A-2503-002	(+) POSITIVE	(-) NEGATIVE

REV	DESCRIPTION	BY	CHK	DATE	ECN / MPS
A	ENGINEERING RELEASE	JGS	CL	3/4/02	M27302



REVIEWED FOR CLASSIFICATION PER ESP-042

MC

DISTRIBUTION CODE(S)

UNLESS OTHERWISE SPECIFIED ALL DIMENSIONS ARE IN INCHES <input type="checkbox"/> MILLIMETERS (INCHES) <input checked="" type="checkbox"/>	DRAWING BASED ON ANSI Y14.5M-1982	
	THE REPRODUCTION, DISTRIBUTION, AND UTILIZATION OF THIS DOCUMENT, AS WELL AS THE COMMUNICATION OF ITS CONTENTS TO OTHERS WITHOUT EXPLICIT AUTHORIZATION IS PROHIBITED. OFFENDERS WILL BE HELD LIABLE FOR THE PAYMENT OF DAMAGES. ALL RIGHTS RESERVED IN THE EVENT OF THE GRANT OF A PATENT, UTILITY MODEL, OR DESIGN. (PER ISO 16016)	
TOLERANCES .X ± .XX ± .XXX ± < ±	DRAWN JGS BY/DATE 4/30/04 CHECKED CL BY/DATE 5/5/04 ENGRG CL BY/DATE 5/5/04 METALLURGY BY/DATE	MATERIAL/HEAT TREAT TITLE SOLENOID COIL, SIZE 10 INSTALLATION DIN 43650-A
UNSPECIFIED RADII ARE: ----	<input checked="" type="checkbox"/> MICROINCHES <input type="checkbox"/> MICROMETERS (MICROINCHES)	NUMBER A-2503-XXX
UNSPECIFIED DRAFT ANGLES ARE: ----°	<input checked="" type="checkbox"/> THIRD ANGLE PROJECTION <input type="checkbox"/> DO NOT SCALE	SCALE 1/1 SHEET 1 OF 1
B SIZE	<input checked="" type="checkbox"/> ARITHMETICAL AVERAGE	

