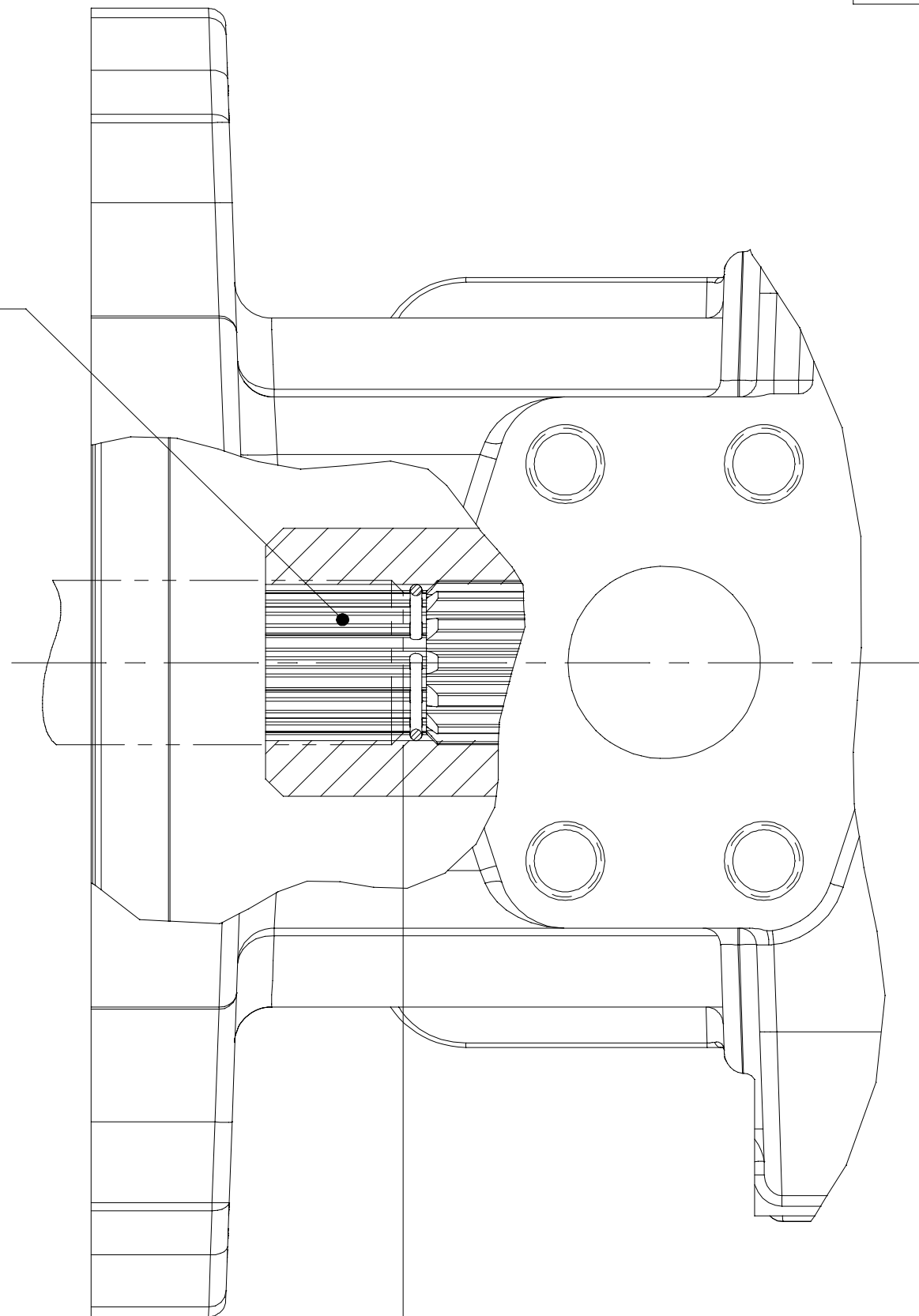


REV	DESCRIPTION	BY	CHK	DATE	ECN / MPS
A	RELEASE FOR SAMPLES AND ESTIMATES	JMM	JMM	6-19-01	M25762
B	ENGINEERING RELEASE	MJP	MJP	10-18-02	42601
C	ADDED 300/[11.81] DIM	JMM	JMM	1-8-03	43159

Ø22.5 [.886] 13 TOOTH 30° FLAT  
ROOT SIDE FIT 16/32 CLASS 1  
INTERNAL SPLINE PER SAE J498b

ACCEPTS 13 TOOTH 30° FLAT ROOT  
SIDE FIT 16/32 EXTERNAL SPLINES  
PER SAE J498b CLASS 1 OR ANSI  
B92.1 CLASS 5 WITH 41.2 [1.62]  
EXTENSION FROM MOUNTING FLANGE



41.2  
[1.62]

287.3  
[11.31]

300  
[11.81]  
WITH DOUBLE  
SHAFT SEAL

DISTRIBUTION CODE(S)

UNLESS OTHERWISE SPECIFIED ALL DIMENSIONS ARE IN INCHES <input type="checkbox"/> MILLIMETERS (INCHES) <input checked="" type="checkbox"/>	DRAWING BASED ON ANSI Y14.5M-1982	
	THE REPRODUCTION, DISTRIBUTION, AND UTILIZATION OF THIS DOCUMENT, AS WELL AS THE COMMUNICATION OF ITS CONTENTS TO OTHERS WITHOUT EXPLICIT AUTHORIZATION IS PROHIBITED. OFFENDERS WILL BE HELD LIABLE FOR THE PAYMENT OF DAMAGES. ALL RIGHTS RESERVED IN THE EVENT OF THE GRANT OF A PATENT, UTILITY MODEL, OR DESIGN. (PER ISO 16016)	
TOLERANCES .X ± ---- .XX ± REF .XXX ± ONLY ∠ ± ----	DRAWN JMM BY/DATE 10-18-01	MATERIAL/HEAT TREAT
UNSPECIFIED RADII ARE: ----	CHECKED JMM BY/DATE 6-4-02	TITLE
UNSPECIFIED DRAFT ANGLES ARE: ----	ENGRG TJT BY/DATE 6-4-02	OUTPUT SHAFT INSTALLATION
	METALLURGY ---- BY/DATE	NUMBER
	<input checked="" type="checkbox"/> THIRD ANGLE PROJECTION <input type="checkbox"/> DO NOT SCALE	A-2254-003
	<input type="checkbox"/> MICROINCHES <input checked="" type="checkbox"/> MICROMETERS (MICROINCHES) <input checked="" type="checkbox"/> ARITHMETICAL AVERAGE	SCALE 1/1 SHEET 1 OF 1

*Danfoss*