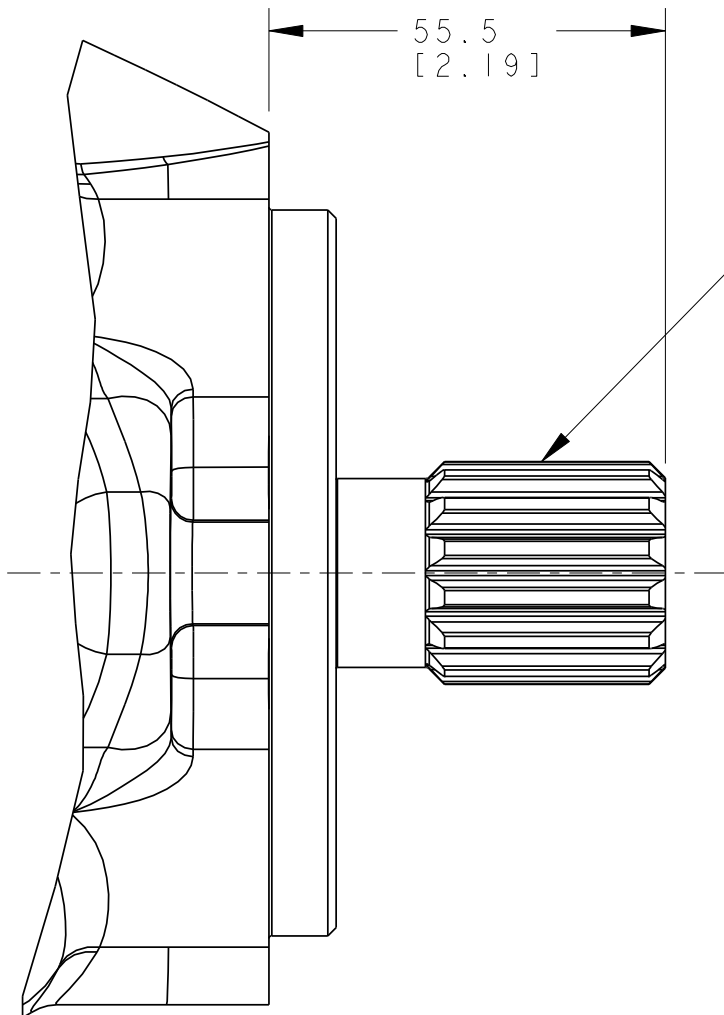


REV	DESCRIPTION	BY	CHK	DATE	ECN / MPS
A	ENGINEERING RELEASE	NWS	BMS	5-28-08	0018094



$\text{Ø}31.224 [1.2293]$ 14 TOOTH 30°
 FLAT ROOT SIDE FIT 12/24 CLASS 5
 SPLINE PER ANSI B92.1 (MODIFIED)

 FITS 14 TOOTH FLAT ROOT SIDE FIT
 12/24 INTERNAL SPLINES PER SAE
 J498b CLASS 1 OR ANSI B92.1
 CLASS 5



REVIEWED FOR CLASSIFICATION PER ESP-042

-
DISTRIBUTION CODE(S)

UNLESS OTHERWISE SPECIFIED ALL DIMENSIONS ARE IN INCHES <input type="checkbox"/> MILLIMETERS (INCHES) <input checked="" type="checkbox"/>	DRAWING BASED ON ANSI Y14.5M-1982	
	THE REPRODUCTION, DISTRIBUTION, AND UTILIZATION OF THIS DOCUMENT, AS WELL AS THE COMMUNICATION OF ITS CONTENTS TO OTHERS WITHOUT EXPLICIT AUTHORIZATION IS PROHIBITED. OFFENDERS WILL BE HELD LIABLE FOR THE PAYMENT OF DAMAGES. ALL RIGHTS RESERVED IN THE EVENT OF THE GRANT OF A PATENT, UTILITY MODEL, OR DESIGN. (PER ISO 16016)	
TOLERANCES .X ± 0.1 .XX ± REF .XXX ± ONLY $\angle \pm 0.5^\circ$	DRAWN JMM BY/DATE 10-20-04 CHECKED JMM BY/DATE 10-21-04 ENGRG RNA BY/DATE 11-3-04 METALLURGY ---- BY/DATE	MATERIAL/HEAT TREAT \
UNSPECIFIED RADII ARE: ----	TITLE 420 PUMP INPUT SHAFT INSTALL	
UNSPECIFIED DRAFT ANGLES ARE: ----	 THIRD ANGLE PROJECTION	NUMBER A-3234-009
B SIZE	DO NOT SCALE	SCALE 1/1 SHEET 1 OF 1

