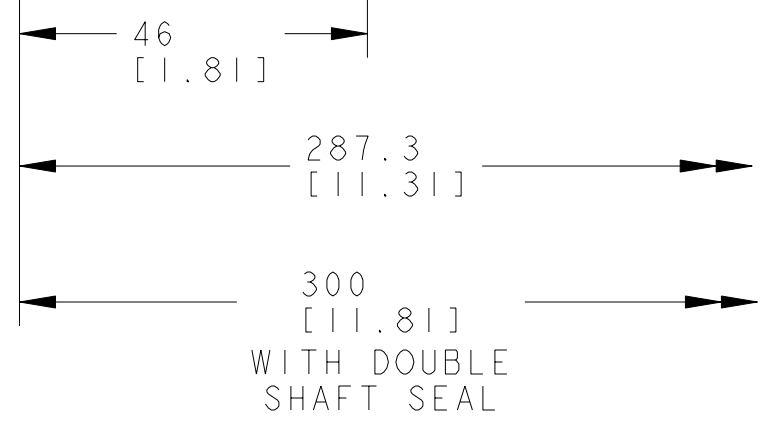
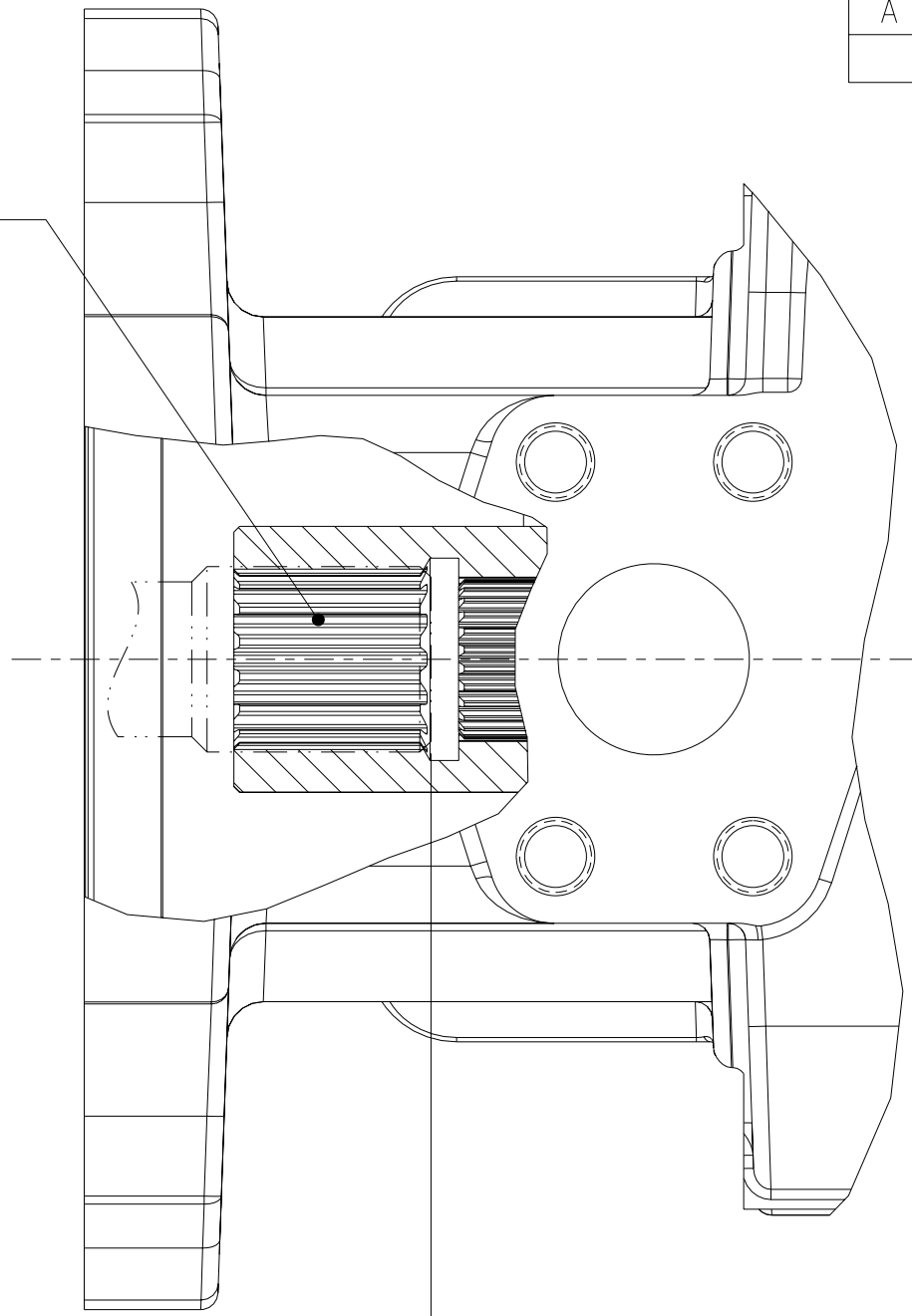


REV	DESCRIPTION	BY	CHK	DATE	ECN / MPS
A	ENGINEERING RELEASE	JMM	JMM	10-19-04	M60048A

Ø25.5 [1.006] 15 TOOTH 30° FLAT ROOT SIDE FIT 16/32 INTERNAL SPLINE PER ASA B5.15-1960

ACCEPTS 15 TOOTH 30° FLAT ROOT SIDE FIT 16/32 EXTERNAL SPLINES PER SAE J498b CLASS 1 OR ANSI B92.1 CLASS 5 WITH 46 [1.81] EXTENSION FROM MOUNTING FLANGE



REVIEWED FOR CLASSIFICATION PER ESP-042

-
DISTRIBUTION CODE(S)

UNLESS OTHERWISE SPECIFIED ALL DIMENSIONS ARE IN INCHES <input type="checkbox"/> MILLIMETERS (INCHES) <input checked="" type="checkbox"/>	DRAWING BASED ON ANSI Y14.5M-1982	
	THE REPRODUCTION, DISTRIBUTION, AND UTILIZATION OF THIS DOCUMENT, AS WELL AS THE COMMUNICATION OF ITS CONTENTS TO OTHERS WITHOUT EXPLICIT AUTHORIZATION IS PROHIBITED. OFFENDERS WILL BE HELD LIABLE FOR THE PAYMENT OF DAMAGES. ALL RIGHTS RESERVED IN THE EVENT OF THE GRANT OF A PATENT, UTILITY MODEL, OR DESIGN. (PER ISO 16016)	
TOLERANCES .X ± 0.1 .XX ± REF .XXX ± ONLY < ± 0.5°	DRAWN JMM BY/DATE 10-20-04 CHECKED JMM BY/DATE 10-21-04 ENGRG RNA BY/DATE 11-3-04 METALLURGY ---- BY/DATE	MATERIAL/HEAT TREAT TITLE OUTPUT SHAFT INSTALLATION
UNSPECIFIED RADII ARE: ----	<input checked="" type="checkbox"/> THIRD ANGLE PROJECTION <input type="checkbox"/> DO NOT SCALE	NUMBER A-2254-004 SCALE 1/1 SHEET 1 OF 1
UNSPECIFIED DRAFT ANGLES ARE: ----	<input type="checkbox"/> MICROINCHES <input checked="" type="checkbox"/> MICROMETERS (MICROINCHES) <input checked="" type="checkbox"/> ARITHMETICAL AVERAGE	
B SIZE	DO NOT SCALE	

