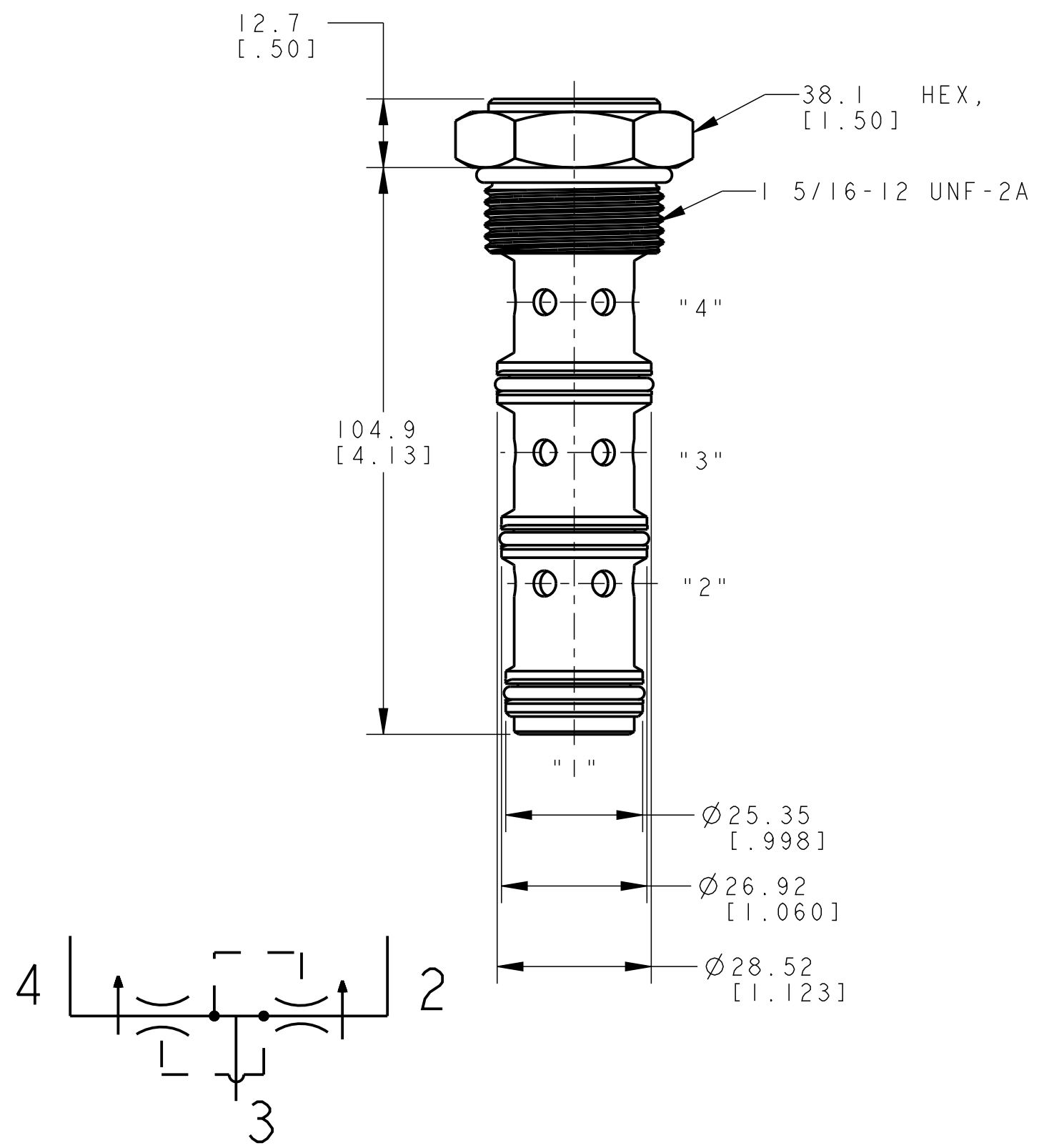


| REV | DESCRIPTION                           | BY  | CHK | DATE     | ECN / MPS |
|-----|---------------------------------------|-----|-----|----------|-----------|
| A   | ENGINEERING RELEASE                   | RSI | JGS | 2/12/05  | M63978    |
| B   | FLOW DIVISION % NOTE ADDED            | IIK | MSK | 06/01/11 | M82153    |
| C   | ADDED FLOW CODE 44 AND NOTE # 2 AND 3 | MBK | VKN | 10/29/14 | M94367    |



- NOTE:
- USE VALVE CAVITY C-16-4.
  - TYPICAL APPLICATION PRESSURE (ALL PORTS) 210 bar (3000 psi)
  - CARTRIDGE FATIGUE PRESSURE (INFINITE LIFE) 210 bar (3000 psi)
  - NET WEIGHT OF CARTRIDGE: 0.35 kg [.78 lb]
  - TORQUE INTO CAVITY:  
ALUMINIUM CAVITY: 108-122 N.m [80-90 lbf.ft]  
STEEL CAVITY : 136-149 N.m [100-110 lbf.ft]
  - FLOW DIVISION %:

FDCI - 16X - X - XX - XX

FLOW CODE

e.g.

| FLOW CODE | FLOW DIVISION % |        | RATED INLET FLOW |         |
|-----------|-----------------|--------|------------------|---------|
|           | PORT 4          | PORT 2 | L/min            | (USgpm) |
| 68        | 43%             | 57%    | 159              | (42)    |
| 84        | 67%             | 33%    | 132              | (35)    |
| 44        | 50%             | 50%    | 90.0             | (24)    |

|   |  |                                 |
|---|--|---------------------------------|
| UNLESS OTHERWISE SPECIFIED ALL DIMENSIONS ARE IN<br>INCHES <input type="checkbox"/><br>MILLIMETERS (INCHES) <input checked="" type="checkbox"/> | DRAWING BASED ON ANSI Y14.5M-2009  |                                 |
|   | THE REPRODUCTION, DISTRIBUTION, AND UTILIZATION OF THIS DOCUMENT, AS WELL AS THE COMMUNICATION OF ITS CONTENTS TO OTHERS WITHOUT EXPLICIT AUTHORIZATION IS PROHIBITED. OFFENDERS WILL BE HELD LIABLE FOR THE PAYMENT OF DAMAGES. ALL RIGHTS RESERVED IN THE EVENT OF THE GRANT OF A PATENT, UTILITY MODEL, OR DESIGN.<br>(PER ISO 16016) |                                 |
| TOLERANCES<br>.X ± --<br>.XX ± --<br>.XXX ± --<br>∠ ± --  | DRAWN RS<br>BY/DATE 04/20/05   | MATERIAL/HEAT TREAT<br>--<br>-- |
| UNSPECIFIED RADII ARE:<br>--  | CHECKED RSI<br>BY/DATE 04/21/05  | TITLE<br>FDCI-16 INSTALLATION   |
| UNSPECIFIED DRAFT ANGLES ARE:<br>--°  | ENGRG --<br>BY/DATE --   | NUMBER<br>A-2674-005            |
| B SIZE  | THIRD ANGLE PROJECTION<br>DO NOT SCALE   | SCALE 1/1 SHEET 1 OF 1          |

