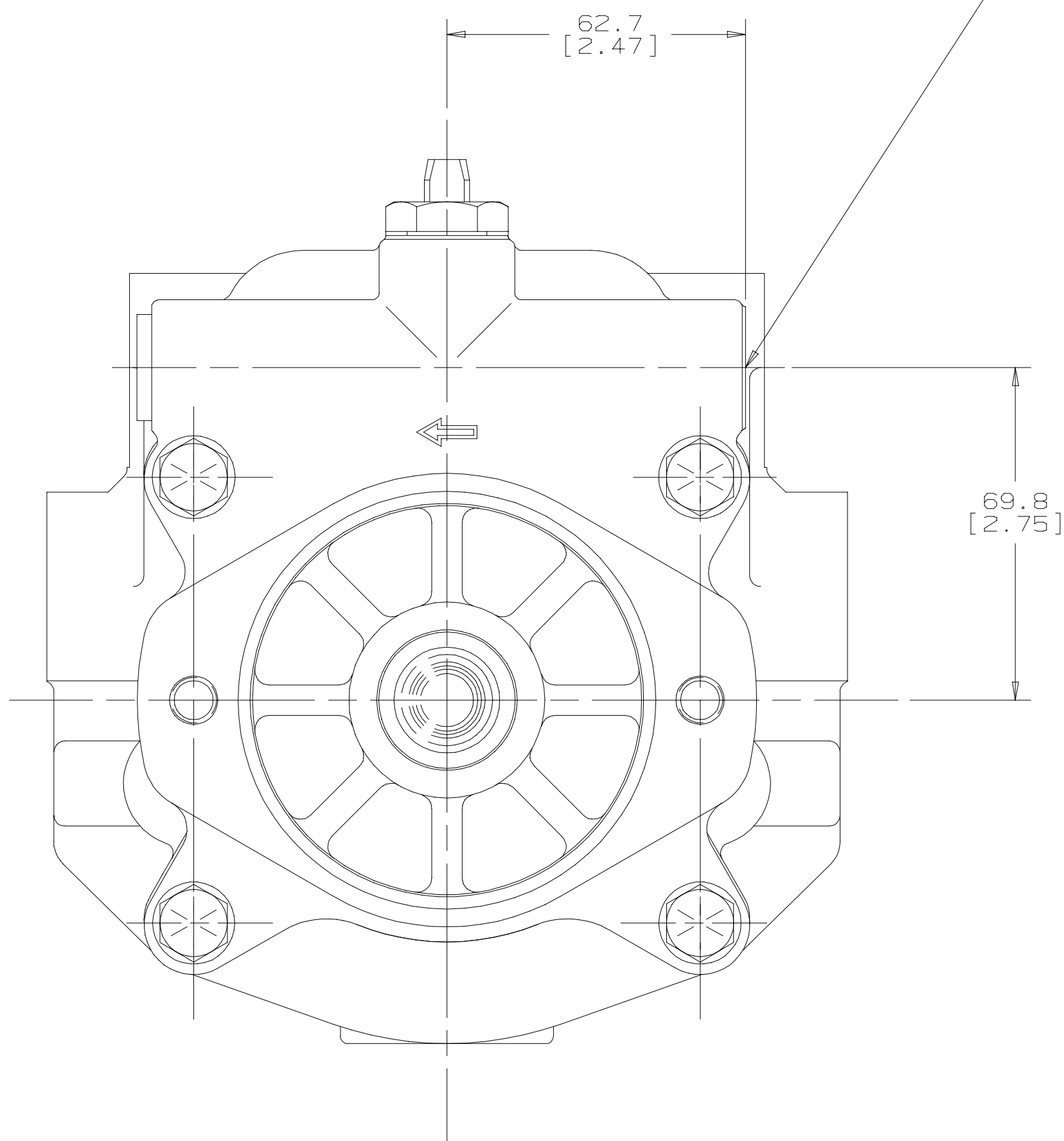


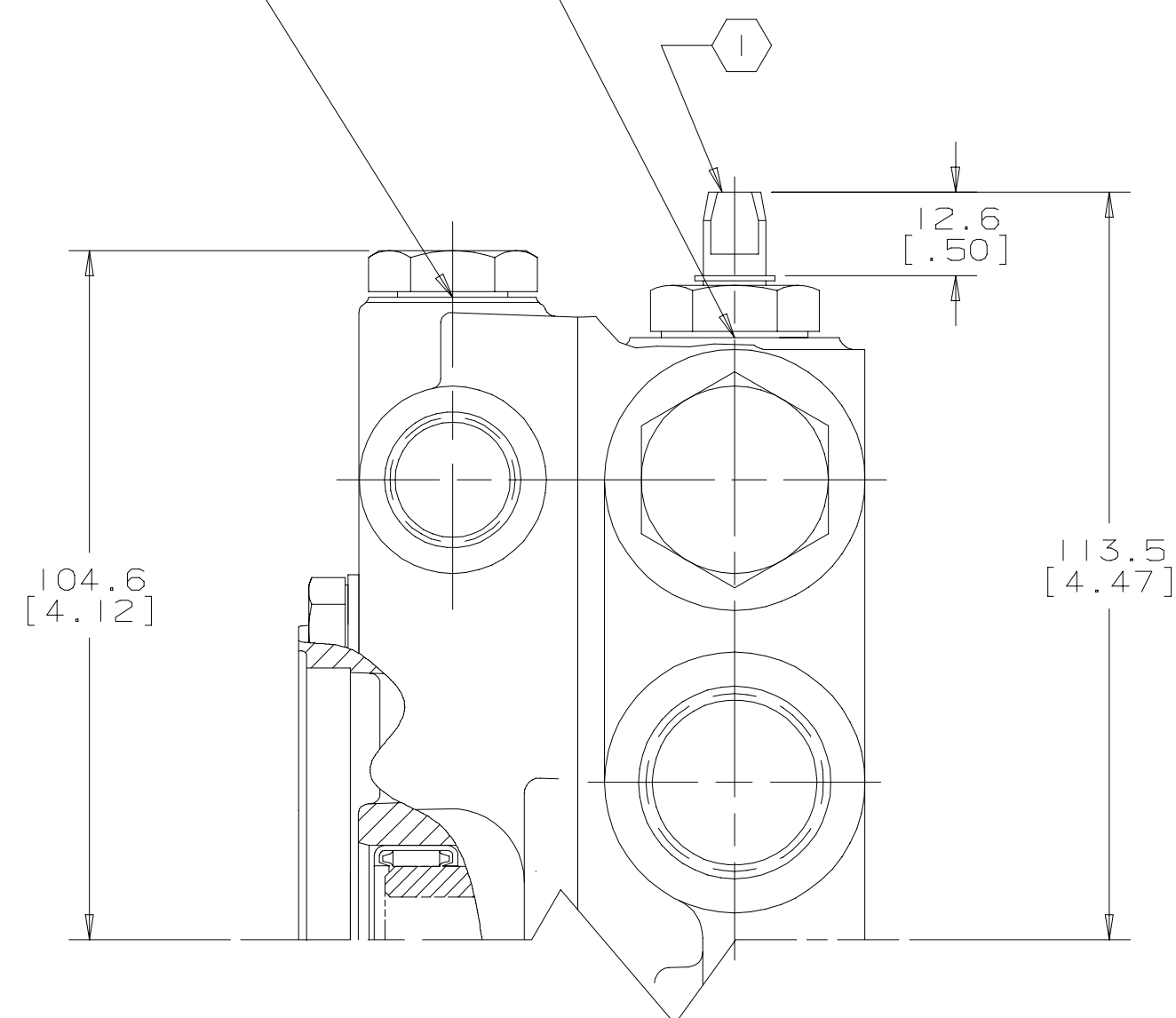
REV	DESCRIPTION	BY	CHK	DATE	ECN
A	ENGINEERING RELEASE	JMS		4-8-97	M17286
B	REVISED PICTORALLY	SDR		6/25/97	297056



CHARGE PUMP SUCTION INLET PORT -S

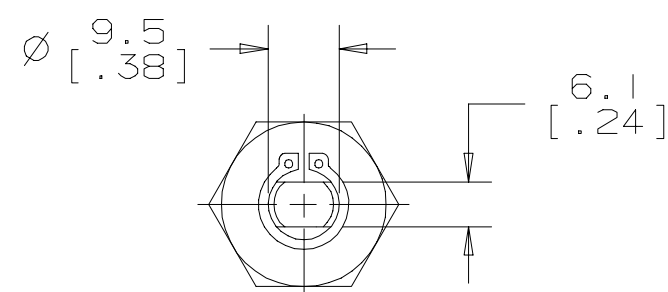


(AUXILIARY PORT -C2)
(AUXILIARY PORT -C1)




NOTE

ⓘ CAUTION
THIS DUMP VALVE TO BE USED IN CASE OF EMERGENCY ONLY EXCESS TOWING MAY DAMAGE HYDRAULIC SYSTEM BEFORE TOWING VEHICLE TURN VALVE 90° TO DECLUTCH DO NOT TURN WHILE MACHINE IS RUNNING



VIEW A-A

UNLESS OTHERWISE SPECIFIED ALL DIMENSIONS ARE IN INCHES <input type="checkbox"/> MILLIMETERS <input checked="" type="checkbox"/>	DRAWING BASED ON ANSI Y14.5M-1982	
	<p>THE REPRODUCTION, DISTRIBUTION, AND UTILIZATION OF THIS DOCUMENT, AS WELL AS THE COMMUNICATION OF ITS CONTENTS TO OTHERS WITHOUT EXPLICIT AUTHORIZATION IS PROHIBITED. OFFENDERS WILL BE HELD LIABLE FOR THE PAYMENT OF DAMAGES. ALL RIGHTS RESERVED IN THE EVENT OF THE GRANT OF A PATENT, UTILITY MODEL, OR DESIGN. (PER ISO 16016)</p> 	
TOLERANCES	DRAWN BY/DATE JMS 4-21-97 CHECKED BY/DATE JMS 5/5/97 ENGRG BY/DATE JMS 5/5/97 METALLURGY --- BY/DATE	MATERIAL/HEAT TREAT
.X ± --- .XX ± --- .XXX ± --- ∠ ± ---	UNDESIGNATED RADII ARE --- UNDESIGNATED DRAFT ANGLES ARE ---	TITLE PORT INSTALLATION
DRAWING FORMAT CADD <input checked="" type="checkbox"/> MANUAL <input type="checkbox"/>	THIRD ANGLE PROJECTION DO NOT SCALE	MICROINCHES <input type="checkbox"/> MICROMETERS <input type="checkbox"/> ARITHMETICAL AVERAGE <input checked="" type="checkbox"/>
	NUMBER A-291-052	SCALE 1/1 SHEET 1 OF 1