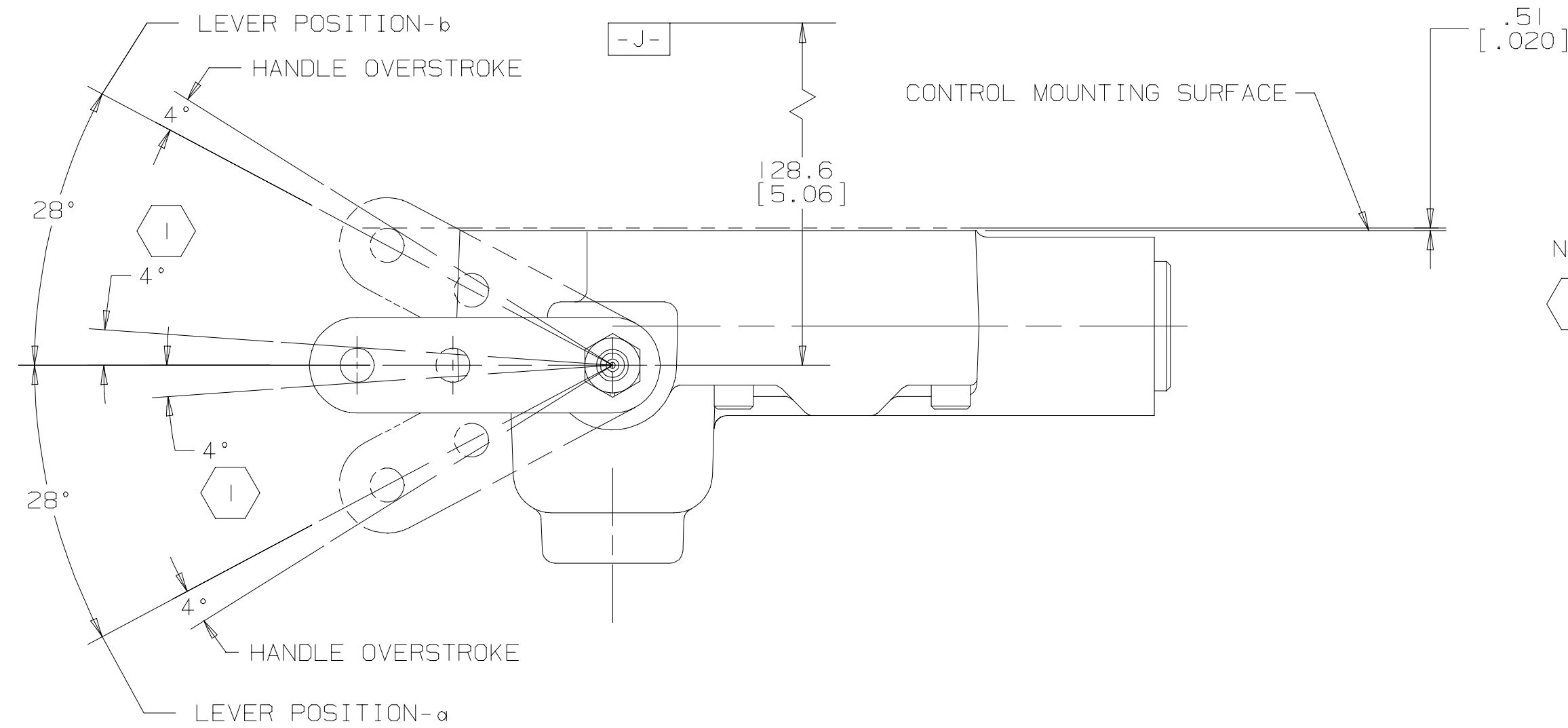
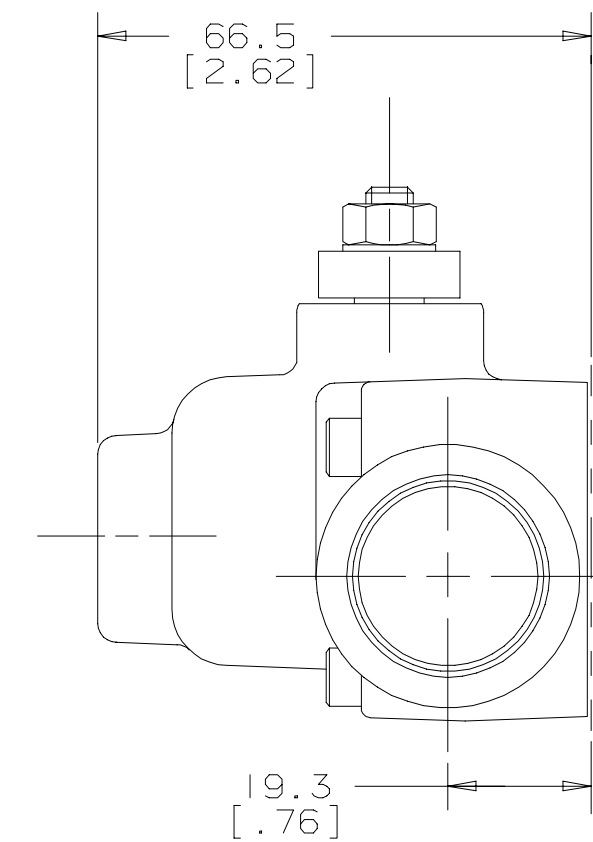
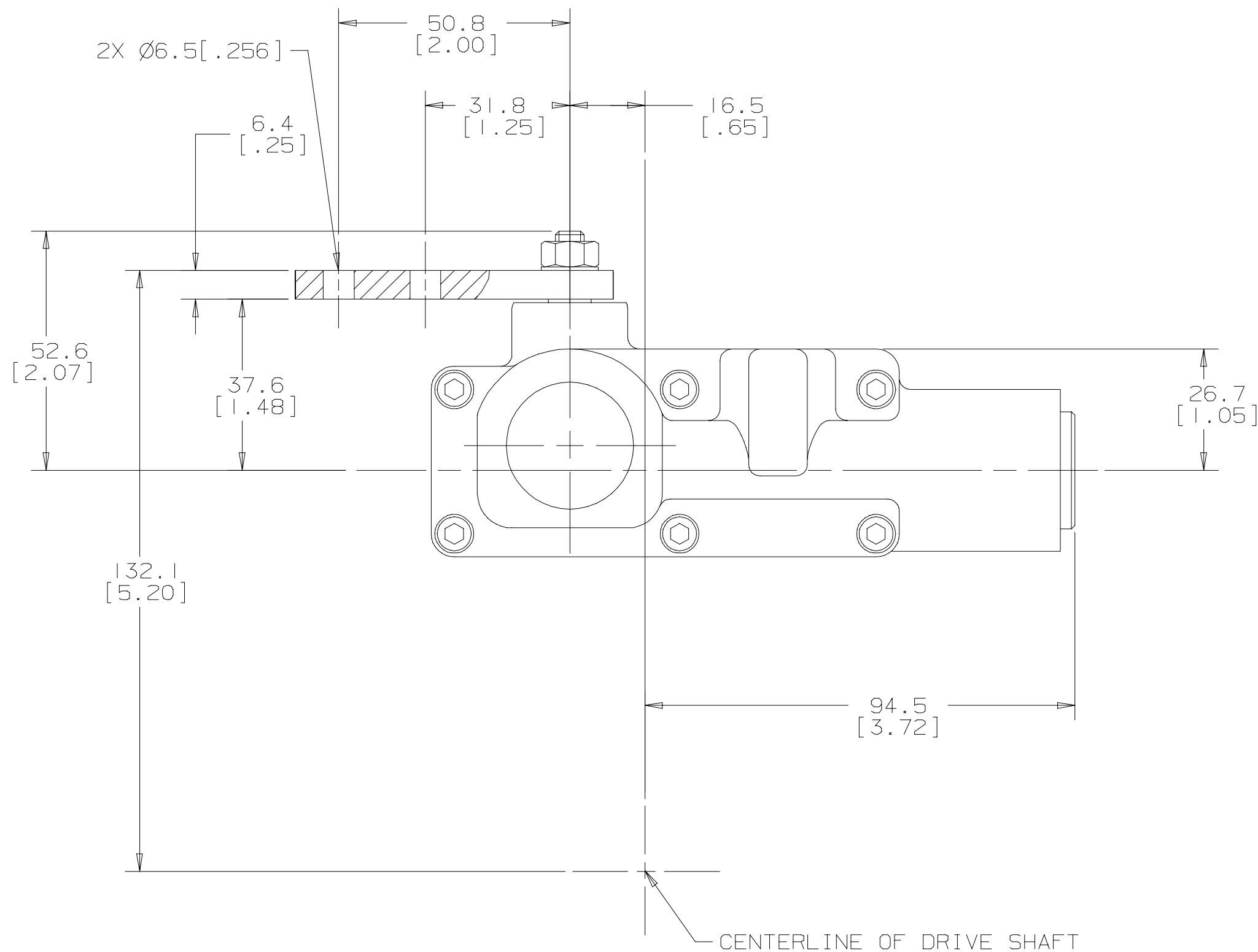


SYM	REVISION	BY	DATE	ECN
A	ENGINEERING RELEASE	I JH	3-11-92	21468
B	REVISED	JMS	2-2-95	26368

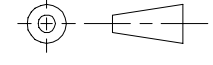


NOTE

- 1 WIDE BAND NEUTRAL ZONE (4°)
- 2 RIGHT HAND (CLOCKWISE) ROTATION
- LEVER POSITION-a ----- PORT-A FLOW FROM SYSTEM PRESSURE
- LEVER POSITION-b ----- PORT-B FLOW FROM SYSTEM PRESSURE
- LEFT HAND (COUNTER CLOCKWISE) ROTATION
- LEVER POSITION-a ----- PORT-B FLOW FROM SYSTEM PRESSURE
- LEVER POSITION-b ----- PORT-A FLOW FROM SYSTEM PRESSURE



GSH

UNLESS OTHERWISE SPECIFIED ALL DIMENSIONS ARE IN INCHES <input type="checkbox"/> MILLIMETERS <input checked="" type="checkbox"/> TOLERANCES .x ± .xx ± REF .xxx ± ONLY < ±	DRAWING BASED ON ANSI Y14.5M-1982	
	THE REPRODUCTION, DISTRIBUTION, AND UTILIZATION OF THIS DOCUMENT, AS WELL AS THE COMMUNICATION OF ITS CONTENTS TO OTHERS WITHOUT EXPLICIT AUTHORIZATION IS PROHIBITED. OFFENDERS WILL BE HELD LIABLE FOR THE PAYMENT OF DAMAGES. ALL RIGHTS RESERVED IN THE EVENT OF THE GRANT OF A PATENT, UTILITY MODEL, OR DESIGN. (PER ISO 16016)	
UNSPECIFIED RADII ARE ---	DRAWN BY/DATE IJH 8-6-91 CHECKED BY/DATE DLL 4-24-92 ENGRG BY/DATE RCH 4-29-92 METALLURGY --- BY/DATE	MATERIAL/HEAT TREAT TITLE SERVO CONTROL INSTALLATION
UNSPECIFIED DRAFT ANGLES ARE ---	 THIRD ANGLE PROJECTION	NUMBER A-387-009
DRAWING FORMAT CADD <input checked="" type="checkbox"/> MANUAL <input type="checkbox"/>	DO NOT SCALE	SCALE   /   SHEET   OF