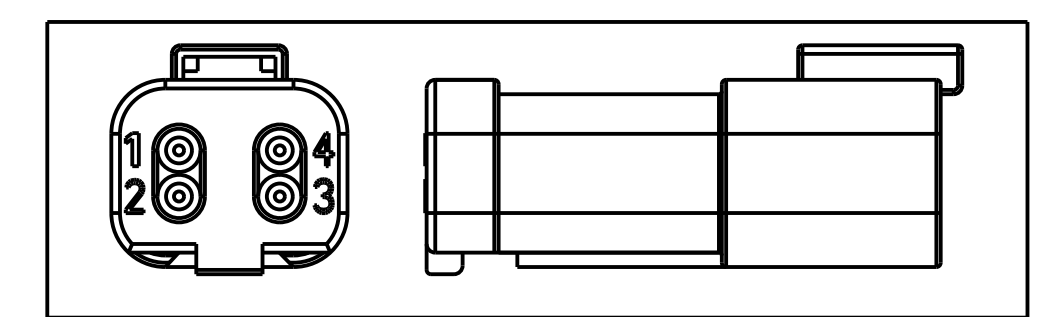
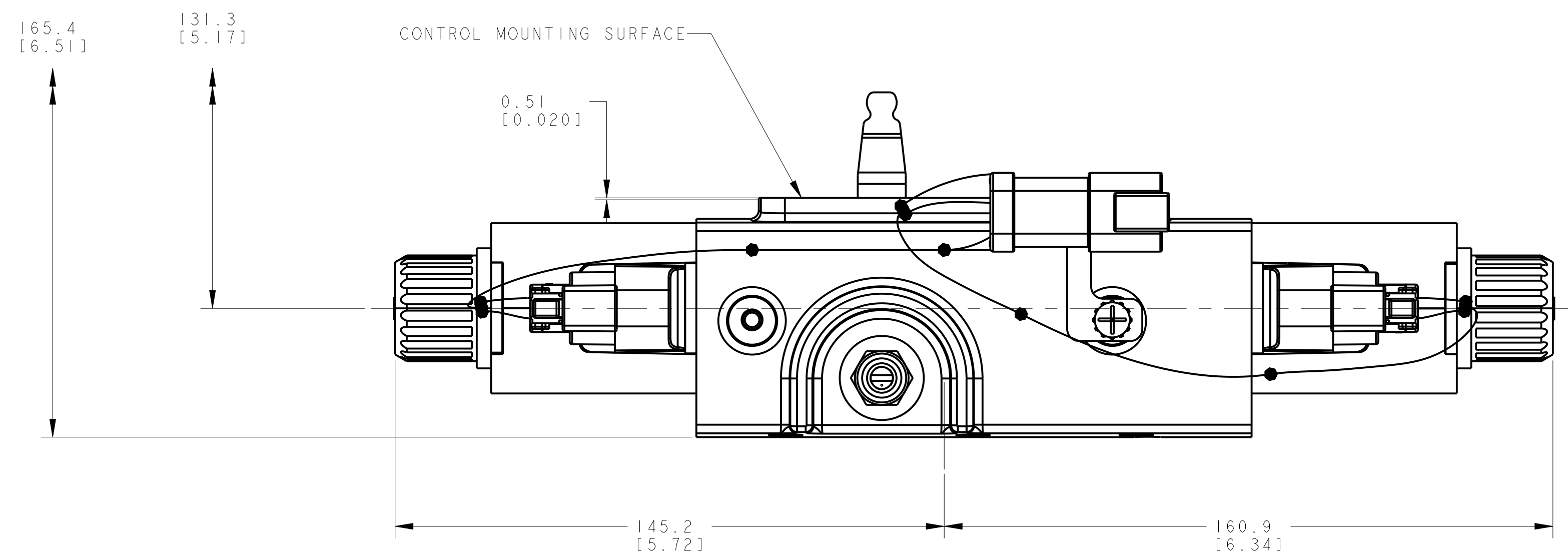
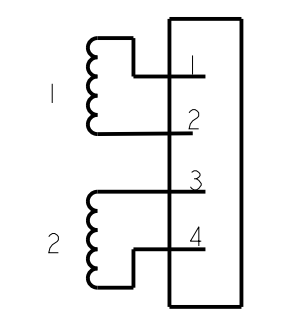


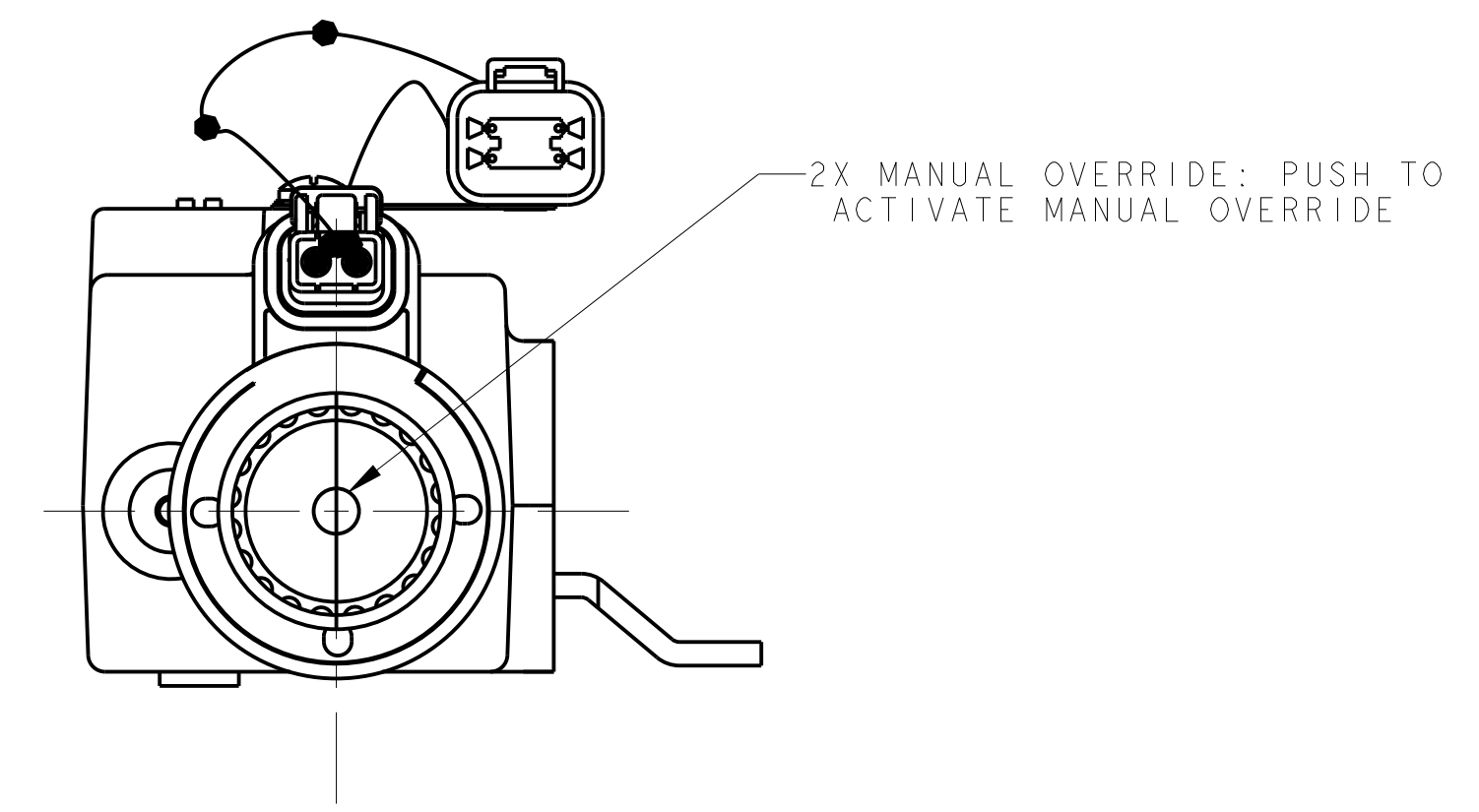
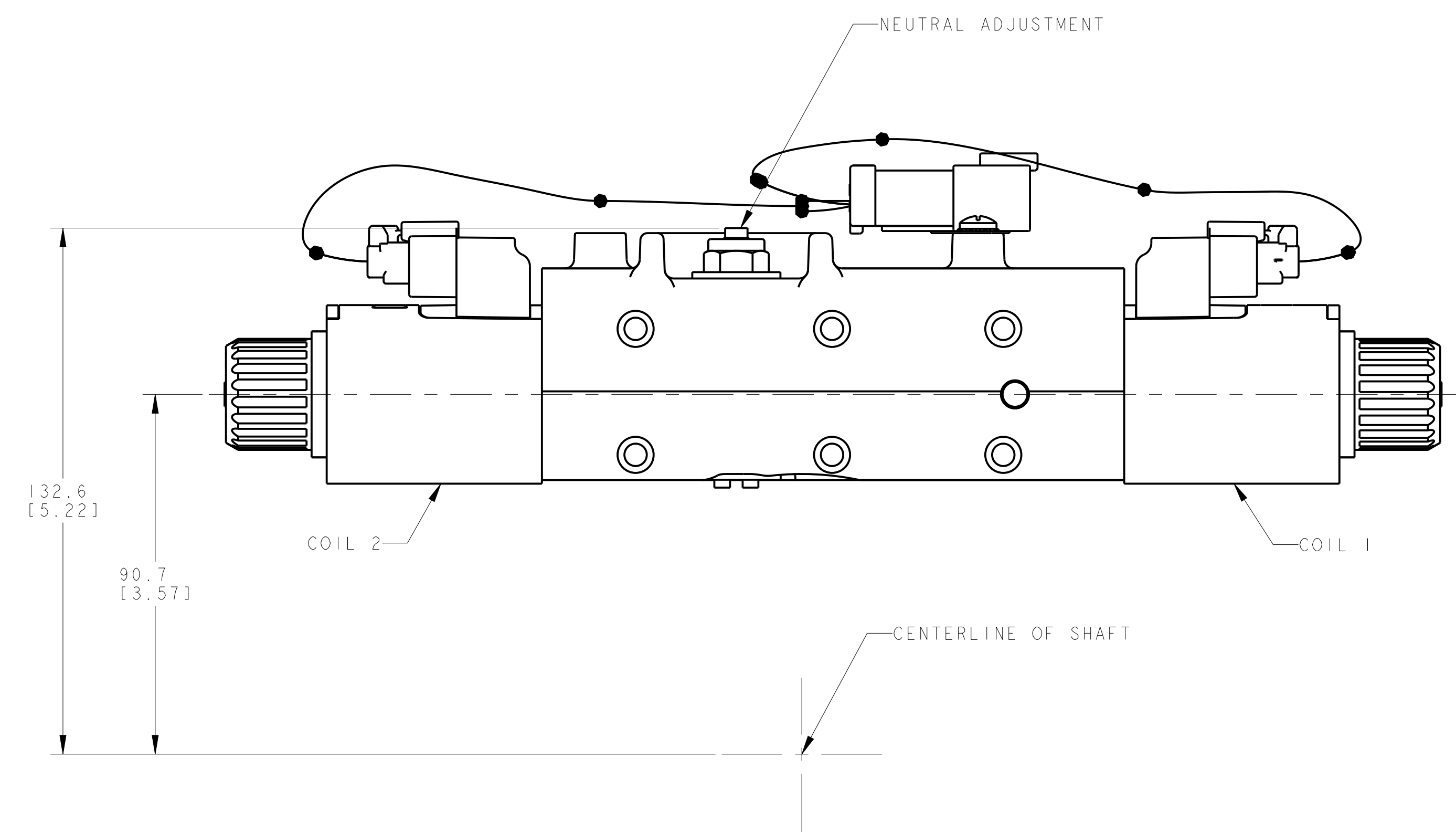
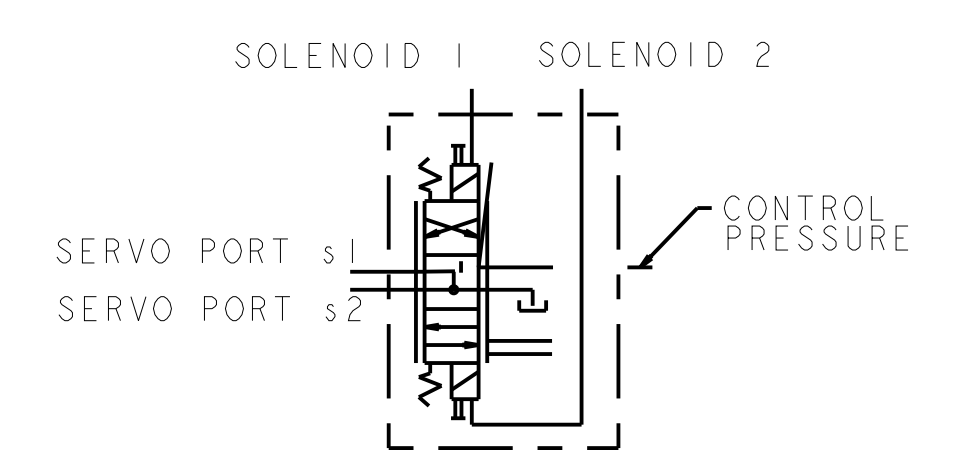
REV	DESCRIPTION	BY	CHK	DATE	ECN / MPS
A	ENGINEERING RELEASE	SDR	CLP	11/20/02	M28723D
B	REVISED PICTORIALY	SDR	CLP	01/13/03	43206
C	-1) REDRAWN IN PRO-E -2) REVISED NOTE -3) (6C) DIM WAS 142.0 [5.59] -4) (5C) DIM WAS 157.2 [6.19] -5) (8D) DIM WAS 165.1 [6.50] -6) REVISED PICTORIALY	VMJ	JEM	09/23/15	0058638



DEUTSCH CONNECTOR



SOLENOID VALVE SCHEMATIC



NOTE

- AMBIENT OPERATING TEMPERATURE RANGE  
-53.9 TO 60°C [-65 TO +140°F]
- 12 VDC  
5.25 OHMS±10% AT 25°C [77°F]  
1.5 AMPS TO OBTAIN FULL PUMP DISPLACEMENT
- 24 VDC  
20.80 OHMS±10% AT 25°C [77°F]  
.75 AMPS TO OBTAIN FULL PUMP DISPLACEMENT

INPUT SHAFT ROTATION	CW		CCW	
SOLENOID ENERGIZED	1	2	1	2
PORT A FLOW	IN	OUT	OUT	IN
PORT B FLOW	OUT	IN	IN	OUT

REVIEWED FOR CLASSIFICATION PER ESP-042

DRAWING BASED ON ASME Y14.5-2009

UNLESS OTHERWISE SPECIFIED ALL DIMENSIONS ARE IN INCHES  MILLIMETERS

TOLERANCES  
 .X ± ----  
 .XX ± ----  
 .XXX ± ----  
 < ± ----

UNSPECIFIED RADIUS ARE: ----  
 UNSPECIFIED DRAFT ANGLES ARE: ----°  
 D SIZE

THE REPRODUCTION, DISTRIBUTION, AND UTILIZATION OF THIS DOCUMENT, AS WELL AS THE COMMUNICATION OF ITS CONTENTS TO OTHERS WITHOUT EXPLICIT AUTHORIZATION IS PROHIBITED. OFFENDERS WILL BE HELD LIABLE FOR THE PAYMENT OF DAMAGES. ALL RIGHTS RESERVED IN THE EVENT OF THE GRANT OF A PATENT, UTILITY MODEL, OR DESIGN. (PER ISO 16016)

DRAWN JMS BY/DATE 11-20-96  
 CHECKED CLP BY/DATE 01-06-03  
 ENGRG CLP BY/DATE 01-06-03  
 METALLURGY BY/DATE ----

MATERIAL/HEAT TREAT  
 TITLE  
 SERVO CONTROL INSTALLATION

THIRD ANGLE PROJECTION  
 DO NOT SCALE

NUMBER  
 A-387-034  
 SCALE 1/2 SHEET 1 OF 1