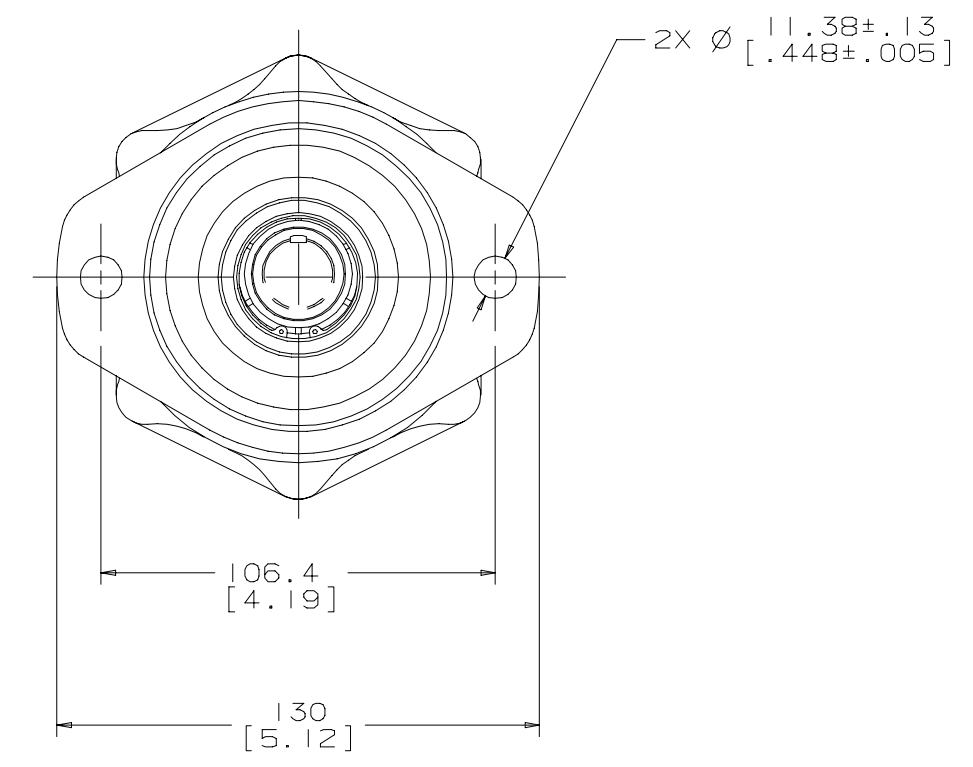
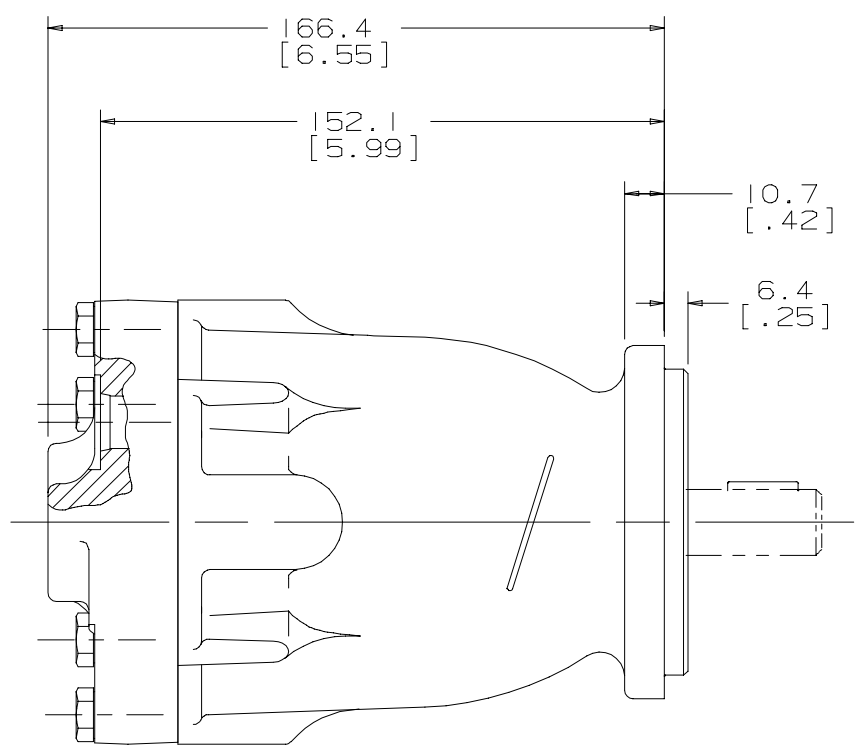
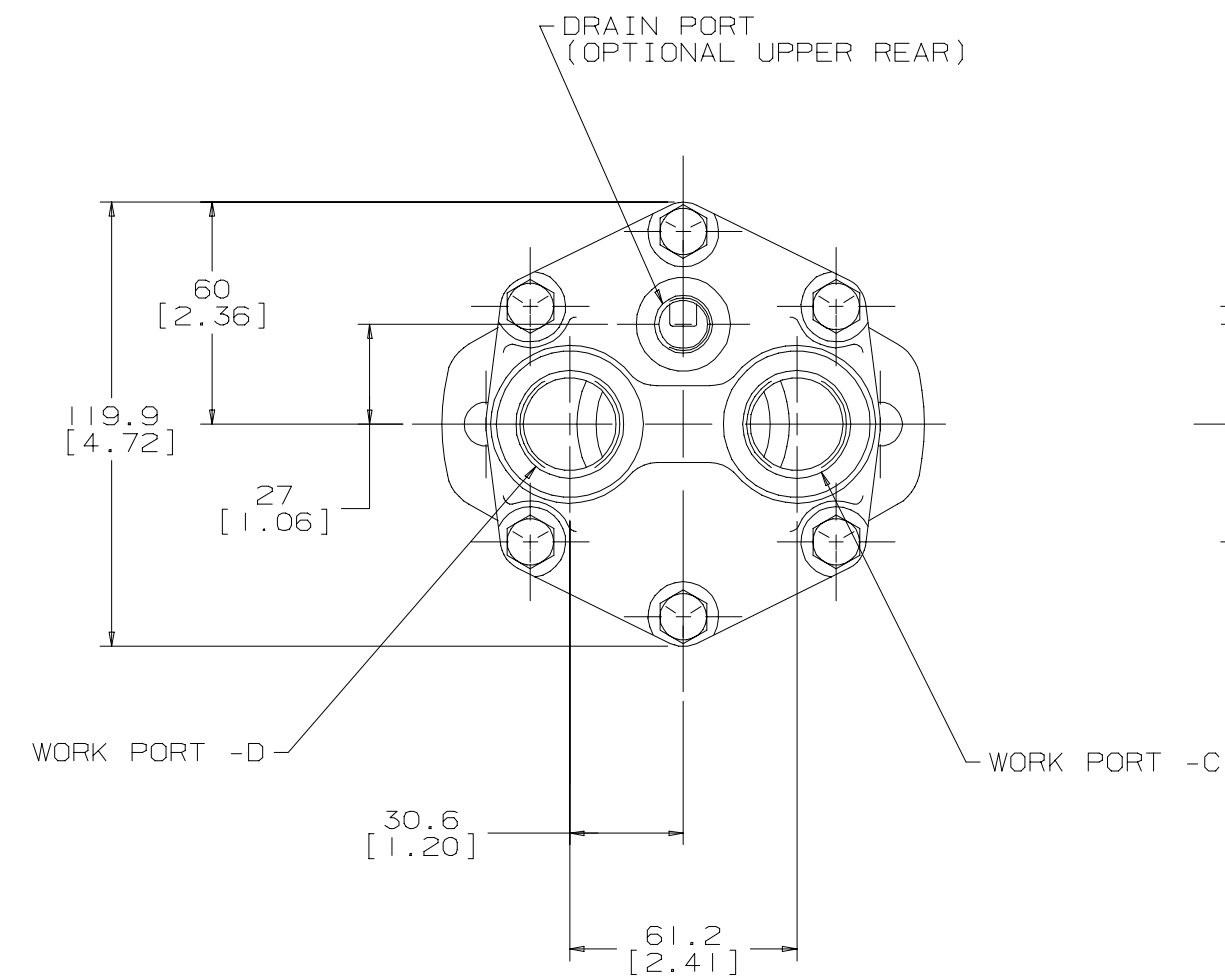
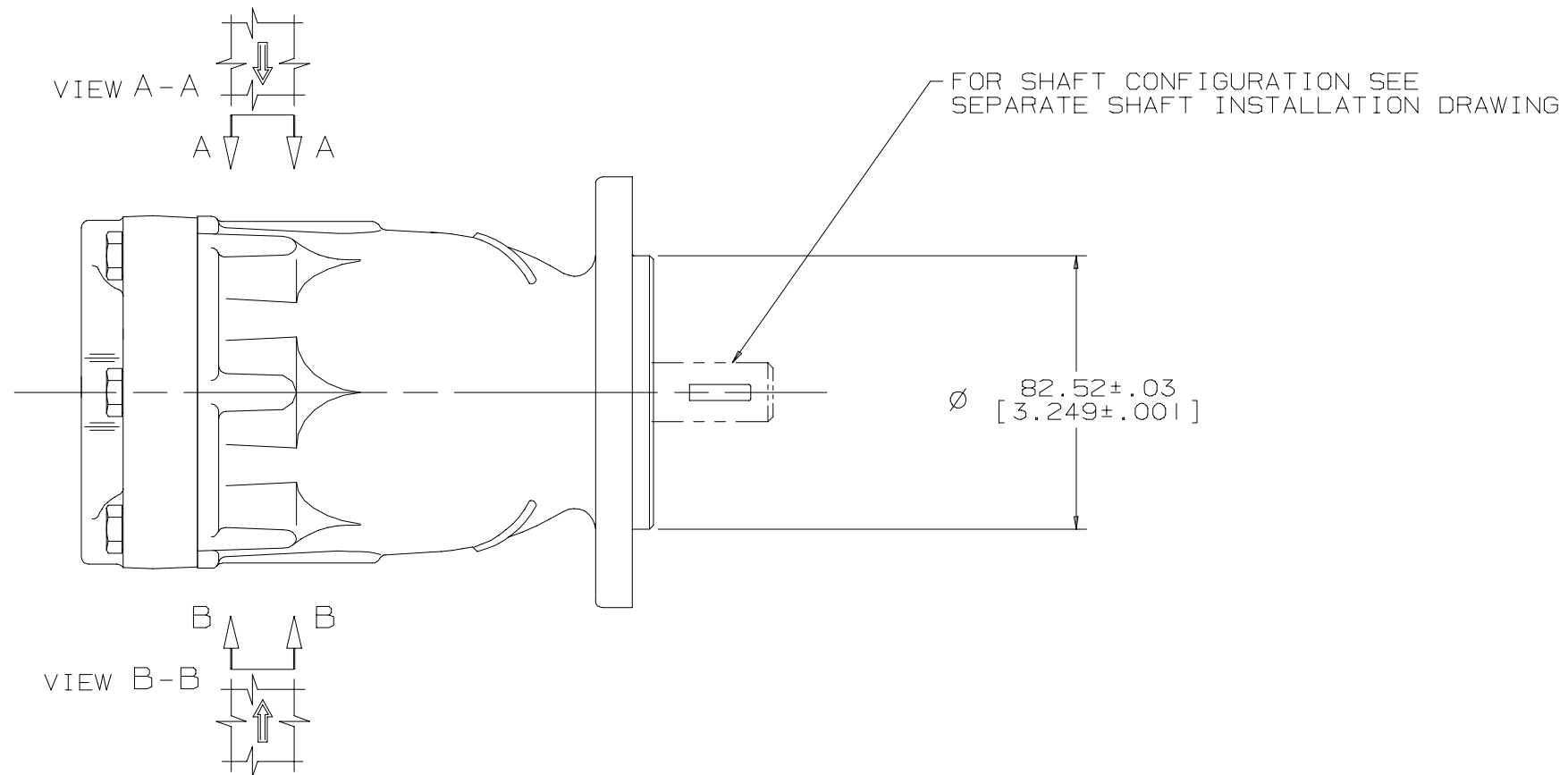


3		2		1	
SYM	REVISION	BY	DATE	ECN	
A	ENGINEERING RELEASE	JS	3-11-92	21468	
B	REVISED	CLL	3-22-95	26633	



- NOTE
- 1 UNIT MUST BE INSTALLED IN SUCH A POSITION THAT THE CASE DRAIN ASSURES AN OIL LEVEL AT OR ABOVE UNIT CENTER LINE OIL MUST BE AT CENTER LINE OR ABOVE BEFORE STARTING
 - 2 ROTATION ARROW AT HOUSING ASSY INDICATES ROTATION WHEN PRESSURING RELATED PORT

UNLESS OTHERWISE SPECIFIED ALL DIMENSIONS ARE IN INCHES <input type="checkbox"/> MILLIMETERS <input checked="" type="checkbox"/>		DRAWING BASED ON ANSI Y14.5M-1982	
TOLERANCES .XX ± .XXX ± ∠ ±		THE REPRODUCTION, DISTRIBUTION, AND UTILIZATION OF THIS DOCUMENT, AS WELL AS THE COMMUNICATION OF ITS CONTENTS TO OTHERS WITHOUT EXPLICIT AUTHORIZATION IS PROHIBITED. OFFENDERS WILL BE HELD LIABLE FOR THE PAYMENT OF DAMAGES. ALL RIGHTS RESERVED IN THE EVENT OF THE GRANT OF A PATENT, UTILITY MODEL, OR DESIGN. (PER ISO 16016)	
UNSPECIFIED DRAFT ANGLES ARE		DRAIN BY/DATE RAB 9-26-91	MATERIAL/HEAT TREAT
UNSPECIFIED DRAWING FORMAT CAD <input checked="" type="checkbox"/> MANUAL <input type="checkbox"/>		CHECKED BY/DATE DAC 4-29-92	TITLE
DRAWING FORMAT CAD <input checked="" type="checkbox"/> MANUAL <input type="checkbox"/>		ENGRG BY/DATE DMW 4-29-92	PISTON MOTOR INSTALLATION
THIRD ANGLE PROJECTION		NUMBER	
DO NOT SCALE		A-462	
		SCALE 1/1 SHEET 1 OF 1	



G H

A