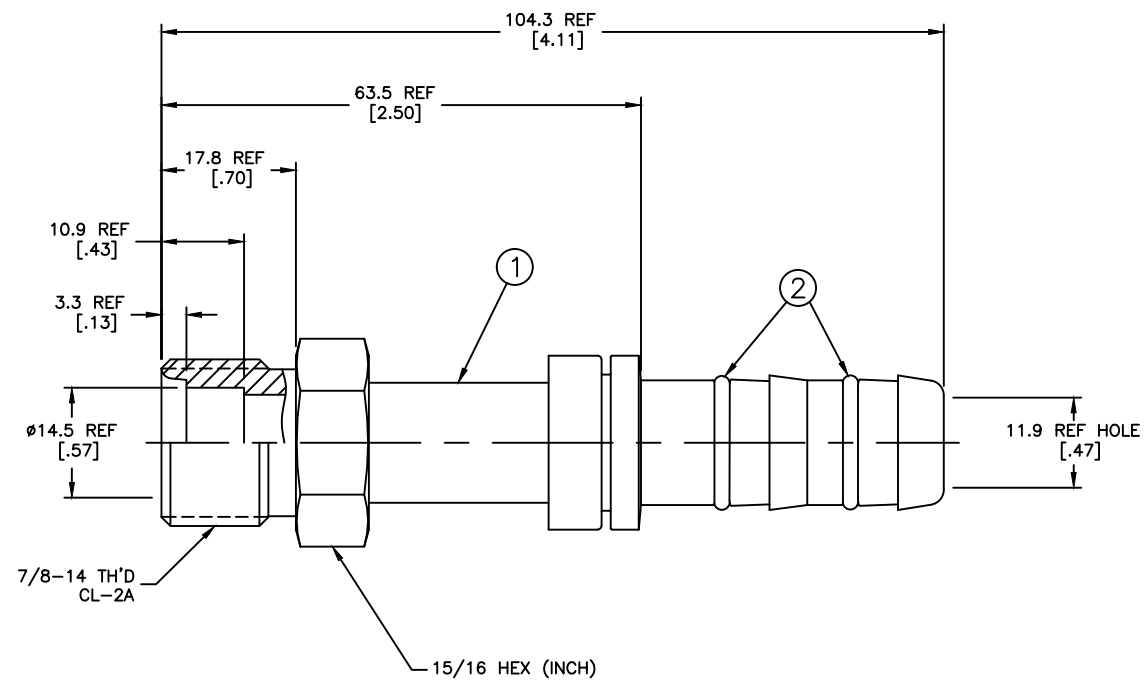


| REVISIONS | | | |
|-----------|-------------|------|----------|
| REV | DESCRIPTION | DATE | APPROVED |
| | | | |



- 2. DIMENSIONS ARE IN MILLIMETERS [INCHES].
- 1. LUBRICATE O'RINGS AND ASSEMBLE TO NIPPLE AS SHOWN.

METRIC

| | | | | |
|----------------------|-------------------|----------------------------|--|--------------------------------|
| FJ3026-1012S | FJ2026-1012S | 1F40106-12 | | |
| AEROQUIP PART NUMBER | ① NIPPLE ASSEMBLY | ② O'RING (2 REQ'D) | | |
| LIST OF MATERIALS | | | | |
| ITEM NO. | MATERIAL | DRAWN R.KELLY | FLUID CONVEYANCE DIVISION DRAWING TITLE FITTING ASSEMBLY MALE O'RING PILOT (LONG), GH134 HOSE | |
| 1 | STEEL | CHECKED D.BAILEY | | |
| 2 | HNBR | APPROVED D.BAILEY | | |
| | | RELEASE DATE 2000-08-01 | | |
| | | EN-F20295 DP-1256 | SIZE A2 | DRAWING NUMBER FJ3026-1012S |
| | | THIRD ANGLE PROJECTION | SCALE 2/1 | DIST U |
| | | ITEM TYPE:DTZA | CAGE CODE 01276 | SHEET |

FN

REV.

SH. FJ3026-1012S

DWG. NO.