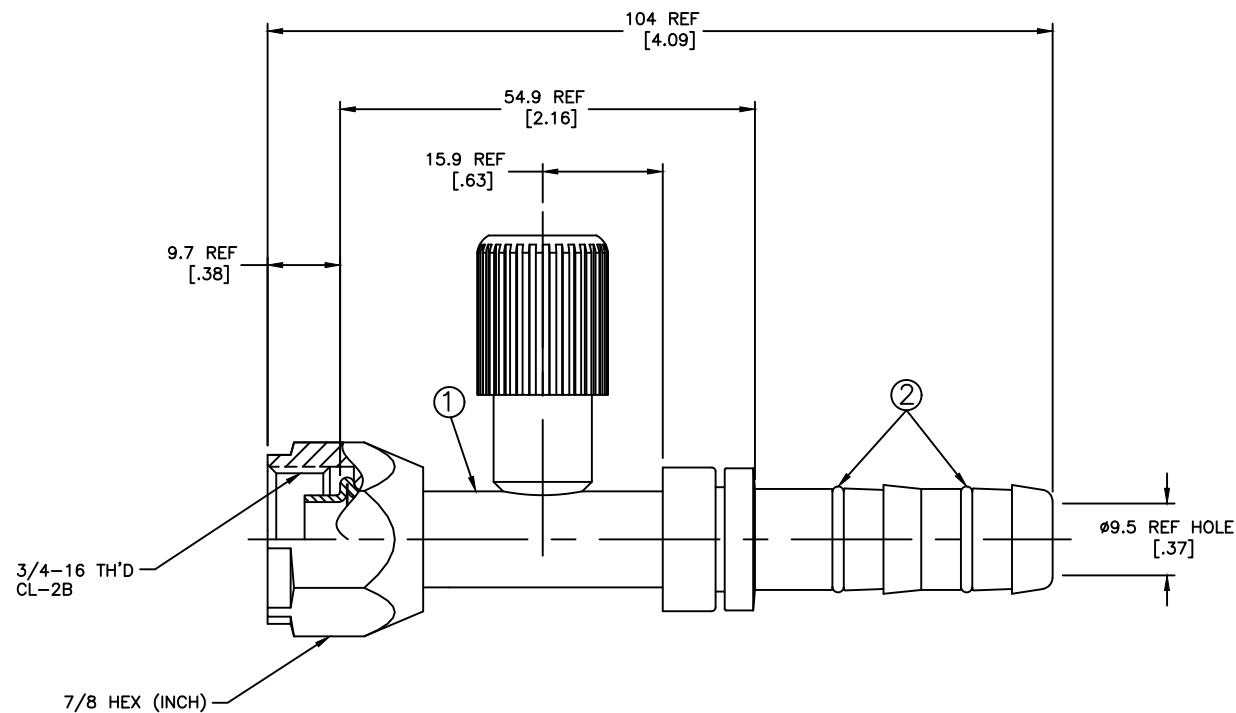


REVISIONS			
REV	DESCRIPTION	DATE	APPROVED



METRIC

- DIMENSIONS ARE IN MILLIMETERS [INCHES].
- LUBRICATE O'RINGS AND ASSEMBLE TO NIPPLE AS SHOWN.

FJ3053-0810S	FJ2053-0810S	1F40106-10		
AEROQUIP PART NUMBER	① NIPPLE ASSEMBLY	② O'RING (2 REQ'D)		
LIST OF MATERIALS				
ITEM NO.	MATERIAL	DRAWN	DRAWING TITLE	
1	STEEL	D. SNYDER	FLUID CONVEYANCE DIVISION FITTING ASSEMBLY FEMALE O'RING PILOT (SHORT) WITH HIGH SIDE CHARGE PORT, GH134 HOSE	
2	HNBR	D. BAILEY		
		J. BAHNSEN		
		2001-05-29		
		EN-F22029		
		DP-1256	SIZE	DRAWING NUMBER
		THIRD ANGLE PROJECTION	A2	FJ3053-0810S
		ITEM TYPE:	SCALE 2/1	DIST U CAGE CODE 01276 SHEET

DWG. NO. FJ3053-0810S