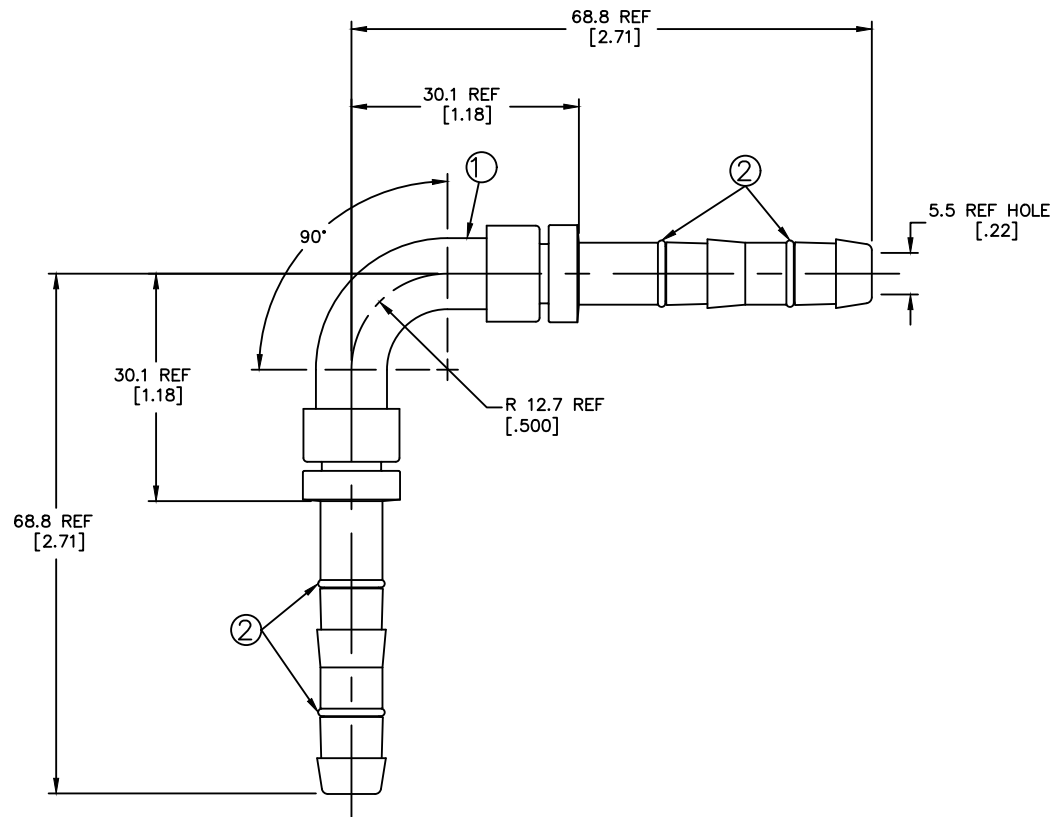


REVISIONS			
REV	DESCRIPTION	DATE	APPROVED



METRIC

- 2. DIMENSIONS ARE IN MILLIMETERS [INCHES].
- 1. LUBRICATE O'RINGS AND ASSEMBLE TO NIPPLE AS SHOWN.

FJ3058-01-0606S	FJ2058-01-0606S	1F40106-06		
AEROQUIP PART NUMBER	① NIPPLE ASSEMBLY	② O'RING (4 REQ'D)		
LIST OF MATERIALS				
ITEM NO.	MATERIAL	DRAWN	DRAWING TITLE	
1	STEEL	W.R.HYDE	FLUID CONVEYANCE DIVISION <b>FITTING ASSEMBLY</b> 90°, HOSE SPLICER, GH134 HOSE	
2	HNBR	J. BAHNSEN		
		J. BAHNSEN		
		2000-01-11		
		EN-F19522	SIZE	DRAWING NUMBER
		DP-1256	A2	FJ3058-01-0606S
		THIRD ANGLE PROJECTION	SCALE	DIST U CAGE CODE 01276 SHEET NO
		ITEM TYPE: TZA		

EN  
 REV.  
 SH.  
 DWG. NO. FJ3058-01-0606S