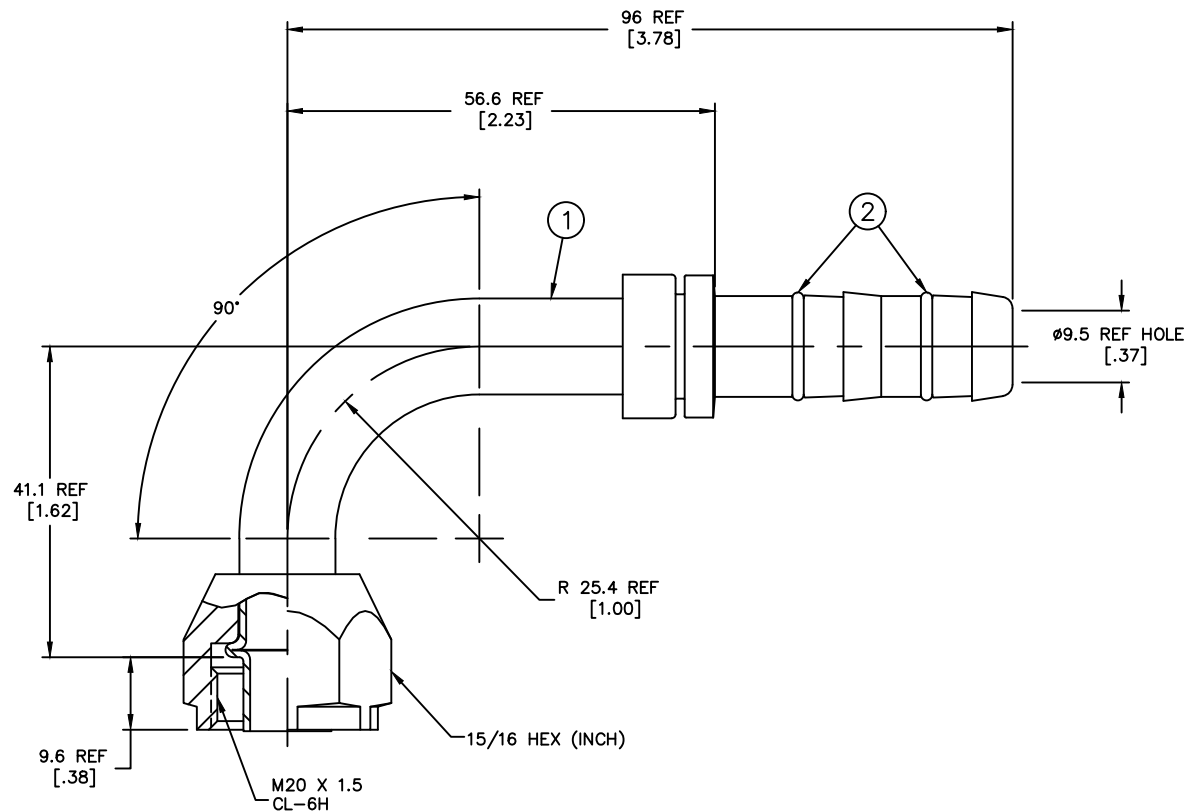


REVISIONS			
REV	DESCRIPTION	DATE	APPROVED



- 2. DIMENSIONS ARE IN MILLIMETERS [INCHES].
- 1. LUBRICATE O'RINGS AND ASSEMBLE TO NIPPLE AS SHOWN.

METRIC

FJ3111-02-0810S	FJ2111-02-0810S	1F40106-10			
AEROQUIP PART NUMBER	① NIPPLE ASSEMBLY	② O'RING (2 REQ'D)			
LIST OF MATERIALS					
ITEM NO.	MATERIAL	DRAWN D. SNYDER	FLUID CONVEYANCE DIVISION DRAWING TITLE FITTING ASSEMBLY 90°, FEMALE O'RING PILOT (LONG), GH134 HOSE SIZE A2 DRAWING NUMBER FJ3111-02-0810S REV SCALE 2/1 DIST U CAGE CODE 01276 SHEET		
1	STEEL	CHECKED W.R. HYDE			
2	HNBR	APPROVED D. SHOWALTER			
		RELEASE DATE 2001-10-01			
		EN-F22177 DP-1256			
		THIRD ANGLE PROJECTION			
		ITEM TYPE:			

DWG. NO. FJ3111-02-0810S SH. REV.