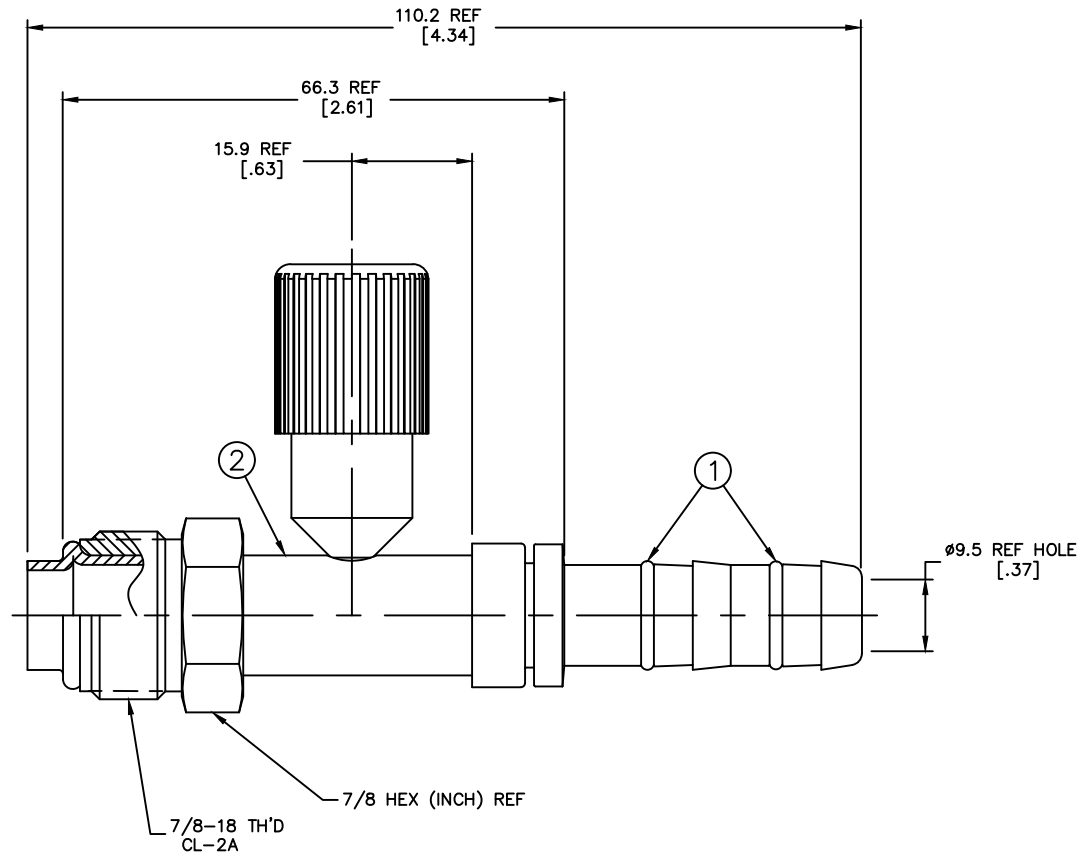


REVISIONS			
REV	DESCRIPTION	DATE	APPROVED



METRIC

- 2. DIMENSIONS ARE IN MILLIMETERS [INCHES].
- 1. LUBRICATE O'RINGS AND ASSEMBLE TO NIPPLE AS SHOWN.

FJ3131-03-1010S	1F40106-10	FJ2131-03-1010S		
AEROQUIP PART NUMBER	① O'RING (2 REQ'D)	② NIPPLE ASSEMBLY		
LIST OF MATERIALS				
ITEM NO.	MATERIAL	DRAWN	FLUID CONVEYANCE DIVISION	
1	HNBR	S. BOHN		
2	STEEL	CHECKED		
		R. D. WEBB		
		APPROVED		
		R. D. WEBB		
		RELEASE DATE	DRAWING TITLE	
		2000-09-12	FITTING ASSEMBLY	
		EN-F20504	MALE O'RING PILOT (SHORT), WITH	
		DP-1256	HIGH SIDE CHARGE PORT, GH134 HOSE	
		THIRD ANGLE PROJECTION	SIZE	DRAWING NUMBER
			A2	FJ3131-03-1010S
		ITEM TYPED TSA	SCALE	DIST
			2/1	U
			CAGE CODE	01276
			SHEET	

EN

REV.

SH.

DWG. NO. FJ3131-03-1010S