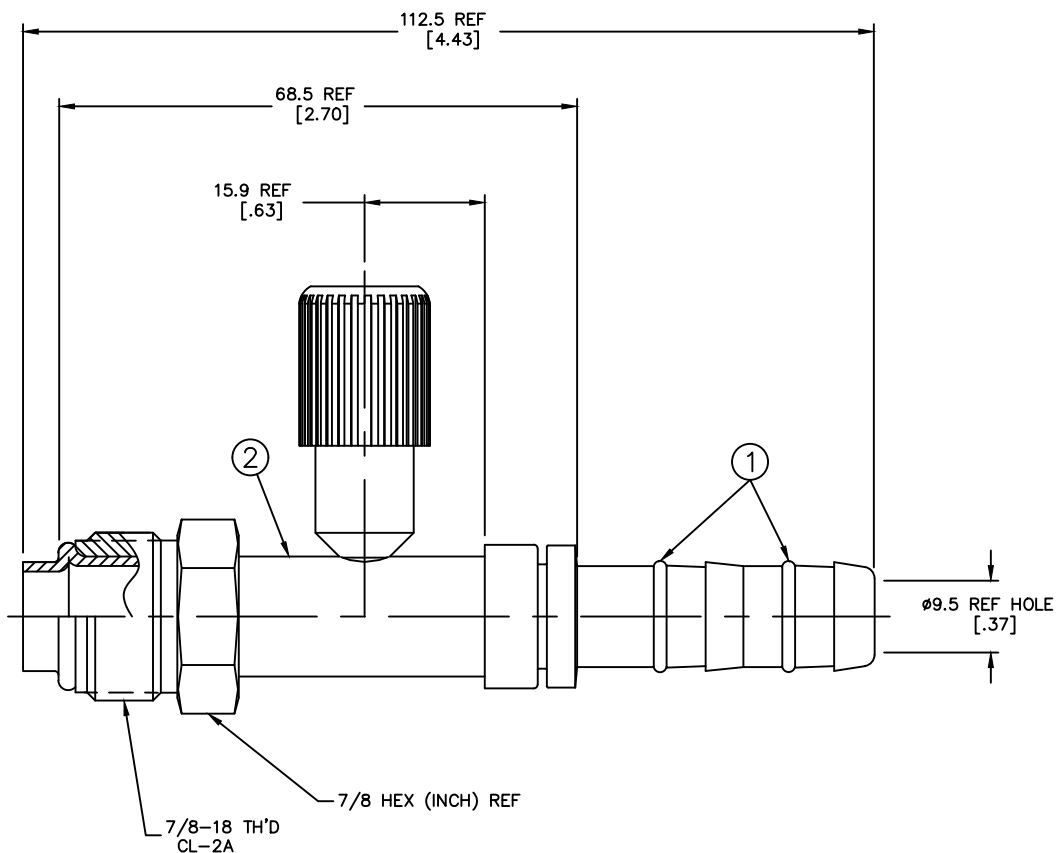


REVISIONS			
REV	DESCRIPTION	DATE	APPROVED



METRIC

- 2. DIMENSIONS ARE IN MILLIMETERS [INCHES].
- 1. LUBRICATE O'RINGS AND ASSEMBLE TO NIPPLE AS SHOWN.

FJ3132-01-1010S	1F40106-10	FJ2132-01-1010S			
AEROQUIP PART NUMBER	① O'RING (2 REQ'D)	② NIPPLE ASSEMBLY			
LIST OF MATERIALS					
ITEM NO.	MATERIAL	DRAWN R. KELLY	FLUID CONVEYANCE DIVISION DRAWING TITLE FITTING ASSEMBLY MALE O'RING PILOT (SHORT), WITH LOW SIDE CHARGE PORT, GH134 HOSE		
1	HNBR	CHECKED R. D. WEBB			
2	STEEL	APPROVED B. THOMAS			
		RELEASE DATE 2000-07-10			
		EN-F19986	SIZE	DRAWING NUMBER	REV
		DP-1256	A2	FJ3132-01-1010S	
		THIRD ANGLE PROJECTION	SCALE	DIST	CAGE CODE
			2/1	U	01276
		ITEM TYPED TSA	SHEET		

DWG. NO. FJ3132-01-1010S