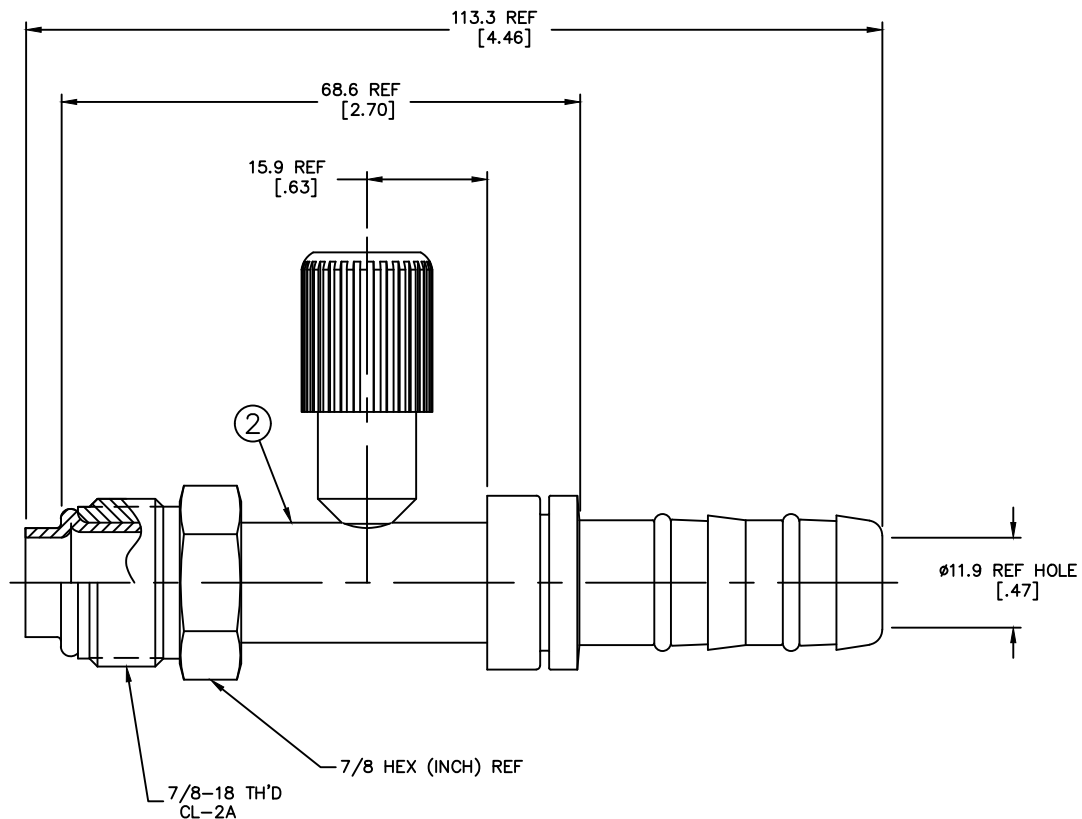


REVISIONS			
REV	DESCRIPTION	DATE	APPROVED
A	REDRAWN - REDESIGNED LAST REV. "NONE"	2000-07-12 *	EN-F20311 DP-1256



METRIC

- 2. DIMENSIONS ARE IN MILLIMETERS [INCHES].
- 1. LUBRICATE O'RINGS AND ASSEMBLE TO NIPPLE AS SHOWN.

FJ3132-02-1012S	1F40106-12	FJ2132-02-1012S			
AEROQUIP PART NUMBER	① O'RING (2 REQ'D)	② NIPPLE ASSEMBLY			
LIST OF MATERIALS					
ITEM NO.	MATERIAL	DRAWN R. KELLY	FLUID CONVEYANCE DIVISION DRAWING TITLE FITTING ASSEMBLY MALE O'RING PILOT (SHORT), WITH LOW SIDE CHARGE PORT, GH134 HOSE		
1	HNBR	CHECKED J. BAHNSEN			
2	STEEL	APPROVED J. BAHNSEN			
		RELEASE DATE 2000-07-12			
		EN-F20311	SIZE A2	DRAWING NUMBER FJ3132-02-1012S	REV A
		DP-1256	SCALE 2/1	DIST U	CAGE CODE 01276
		THIRD ANGLE PROJECTION	SHEET		
		ITEM TYPED TSA			

DWG. NO. FJ3132-02-1012S REV. A SH. A