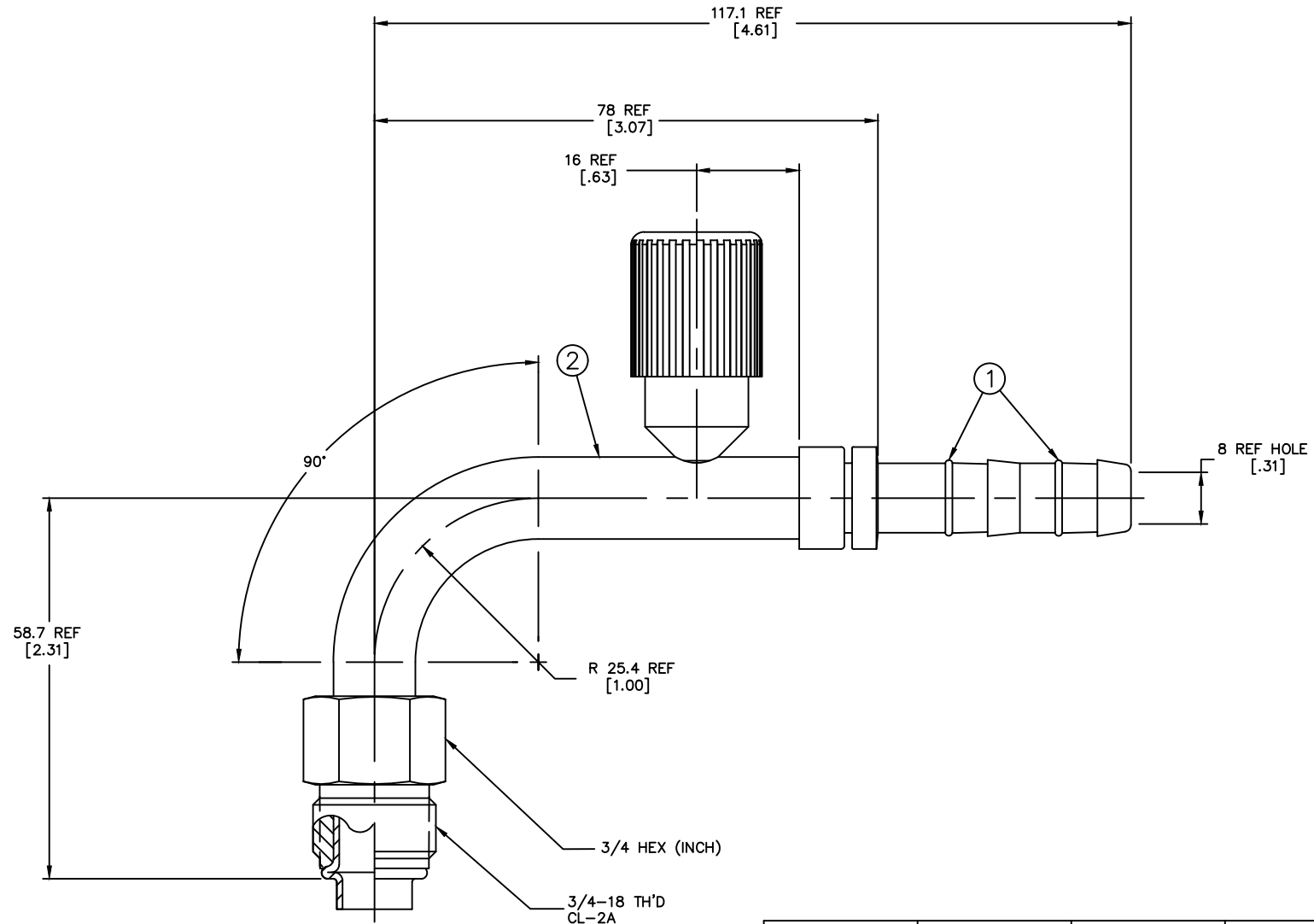


| REVISIONS | | | |
|-----------|-------------|------|----------|
| REV | DESCRIPTION | DATE | APPROVED |
| | | | |



METRIC

2. DIMENSIONS ARE IN MILLIMETERS [INCHES].
 1. LUBRICATE O-RINGS AND ASSEMBLE TO NIPPLE AS SHOWN.

| | | | | |
|----------------------|--------------------|----------------------------|---|--|
| FJ3134-02-0808S | 1F40106-08 | FJ2134-02-0808S | | |
| AEROQUIP PART NUMBER | ① O-RING (2 REQ'D) | ② NIPPLE ASSEMBLY | | |
| LIST OF MATERIALS | | | | |
| ITEM NO. | MATERIAL | DRAWN R. KELLY | FLUID CONVEYANCE DIVISION DRAWING TITLE FITTING ASSEMBLY 90°, MALE O-RING PILOT (SHORT), WITH HIGH SIDE CHARGE PORT, GH134 HOSE SIZE DRAWING NUMBER REV FJ3134-02-0808S | |
| 1 | HNBR | CHECKED R. D. WEBB | | |
| 2 | STEEL | APPROVED R.D.GARRETT | | |
| | | RELEASE DATE 2000-06-15 | | |
| | | EN-20184 | THIRD ANGLE PROJECTION | |
| | | DP-1256 | SCALE 2/1 DIST U CAGE CODE 01276 SHEET | |
| | | ITEM TYPE DTSA | | |

DWG. NO. FJ3134-02-0808S SH. REV.