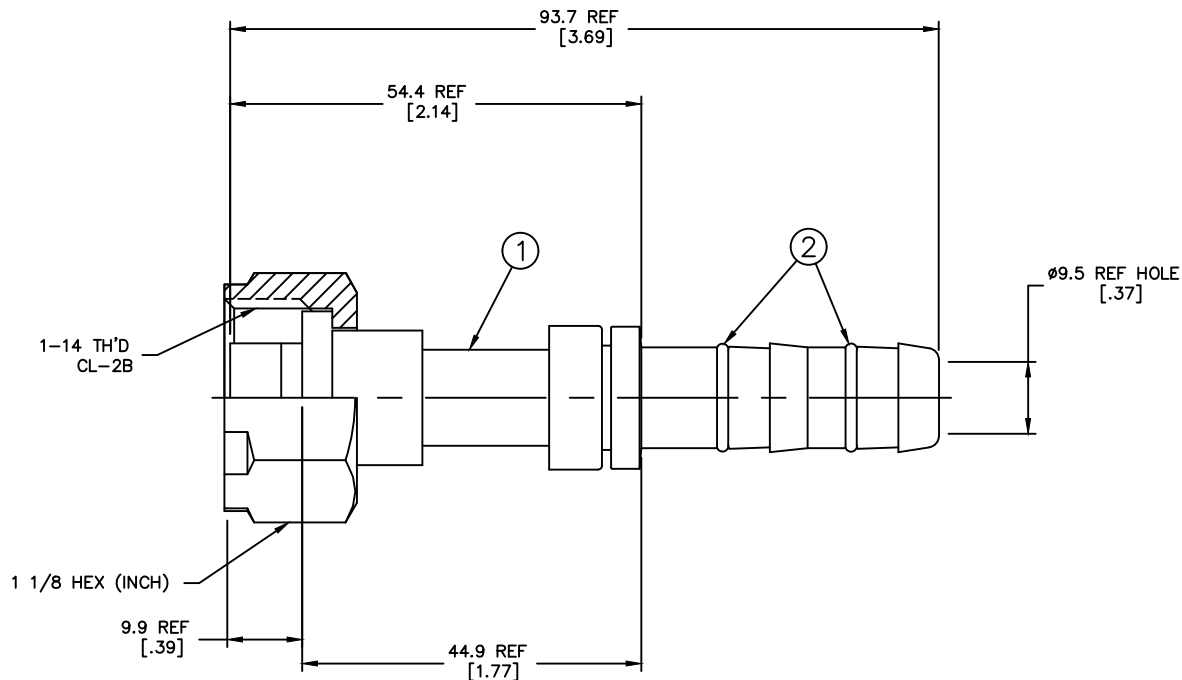


REVISIONS			
REV	DESCRIPTION	DATE	APPROVED



METRIC

- 2. DIMENSIONS ARE IN MILLIMETERS [INCHES].
- 1. LUBRICATE O'RINGS AND ASSEMBLE TO NIPPLE AS SHOWN.

FJ3274-1010S	FJ2274-1010S	1F40106-10		
AEROQUIP PART NUMBER	① NIPPLE ASSEMBLY	② O'RING (2 REQ'D)		
LIST OF MATERIALS				
ITEM NO.	MATERIAL	DRAWN	FLUID CONVEYANCE DIVISION	
1	STEEL	B. THOMAS		
2	HNBR	CHECKED		
		J. BAHNSEN		
		APPROVED		
		*	DRAWING TITLE	
		RELEASE DATE	FITTING ASSEMBLY	
		2000-09-06	FEMALE ROTOLock,	
		EN-F20670	GH134 HOSE	
		DP-1256	SIZE	DRAWING NUMBER
		THIRD ANGLE PROJECTION	A2	FJ3274-1010S
		ITEM TYPE TZA	SCALE 2/1	DIST U CAGE CODE 01276 SHEET

DWG. NO. FJ3274-1010S SH. REV.