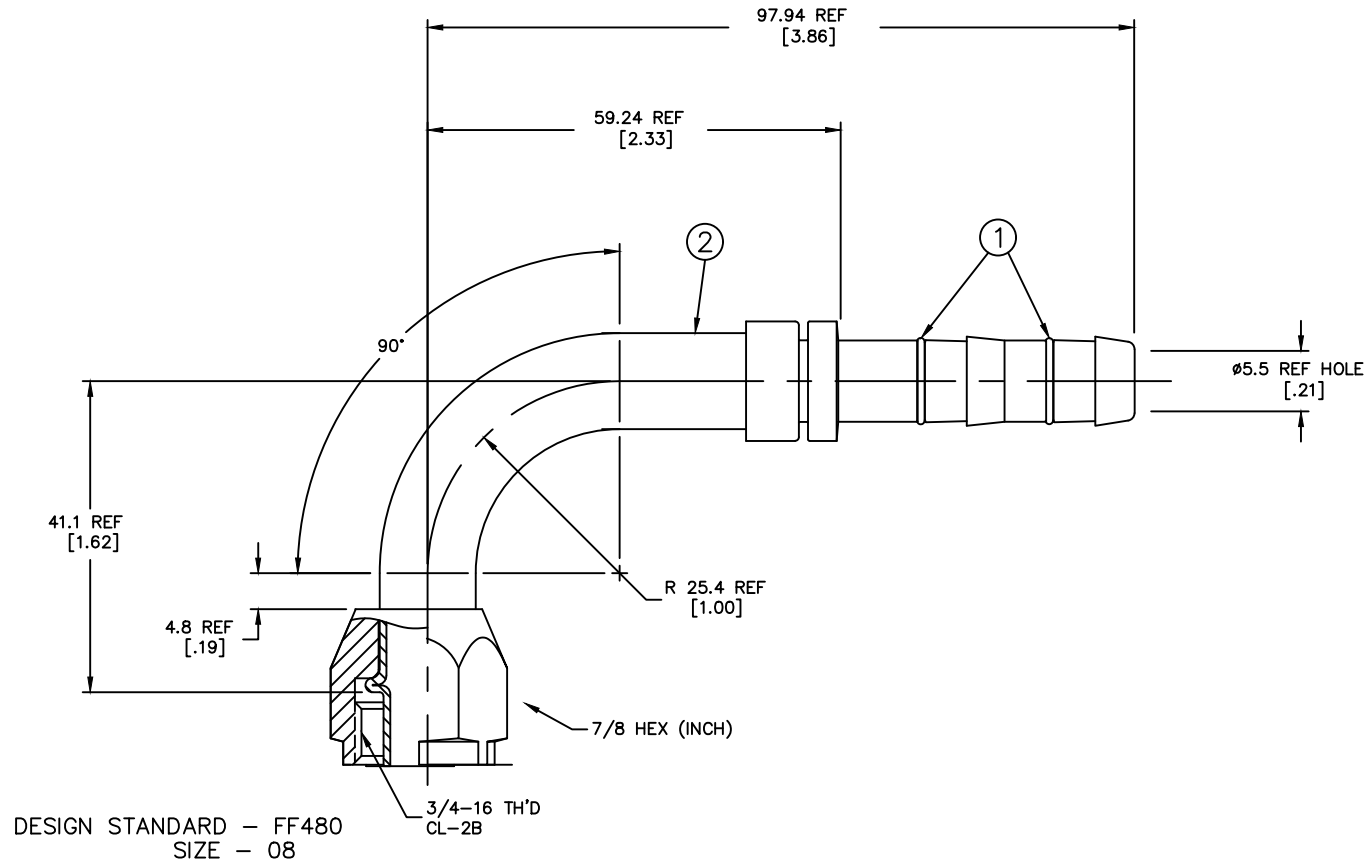


REVISIONS			
REV	DESCRIPTION	DATE	APPROVED



DESIGN STANDARD - D018B
SIZE - 06

METRIC

- DIMENSIONS ARE IN MILLIMETERS [INCHES].
- LUBRICATE O'RINGS AND ASSEMBLE TO NIPPLE AS SHOWN.

FJ3288-03-0806S	1F40106-06	FJ2288-03-0806S			
AEROQUIP PART NUMBER	① O'RING (2 REQ'D)	② NIPPLE ASSEMBLY			
LIST OF MATERIALS					
ITEM NO.	MATERIAL	DRAWN B. BEIER CHECKED	FLUID CONVEYANCE DIVISION DRAWING TITLE FITTING ASSEMBLY 90°, FEMALE O'RING PILOT (LONG) GH134 HOSE		
1	HNBR	APPROVED			
2	STEEL	RELEASE DATE 11-11-2004			
THIRD ANGLE PROJECTION		SIZE A2	DRAWING NUMBER FJ3288-03-0806S	REV	
ITEM TYPE: TSA		SCALE 2:1	DIST U	CAGE CODE 01276	SHEET

DWG. NO. FJ3288-03-0806S