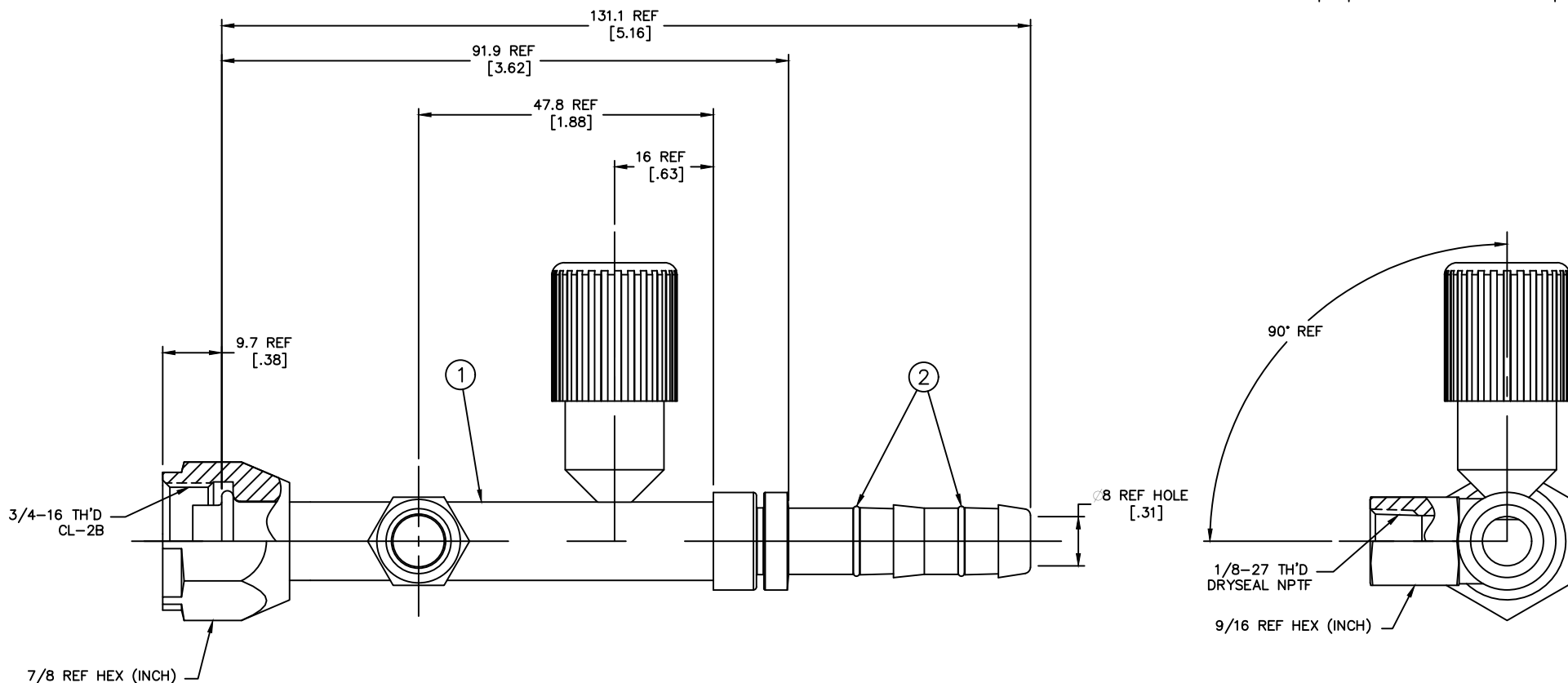


REVISIONS			
REV	DESCRIPTION	DATE	APPROVED



- 2. DIMENSIONS ARE IN MILLIMETER [INCHES].
- 1. LUBE O'RINGS AND ASSEMBLE TO NIPPLE AS SHOWN.

METRIC

FJ3363-03-0808S	FJ2363-03-0808S	1F40106-08			
AEROQUIP PART NUMBER	① NIPPLE ASSEMBLY	② O'RING (2 REQUIRED)			
LIST OF MATERIALS					
ITEM NO.	MATERIAL	DRAWN S HART	FLUID CONVEYANCE DIVISION DRAWING TITLE FITTING ASSEMBLY FEMALE O'RING PILOT (SHORT) WITH HIGH SIDE CHARGE PORT, GH134 HOSE		
1	STEEL	CHECKED S MYERS			
2	HNBR	APPROVED D KAUFMAN			
		RELEASE DATE 2001-11-29			
		EN-F22387	SIZE	DRAWING NUMBER	REV
		RPS-10975	A2	FJ3363-03-0808	
		THIRD ANGLE PROJECTION	SCALE 2/1	DIST U	CAGE CODE 01276
			SHEET		*

DWG. NO. FF3363-03-0808