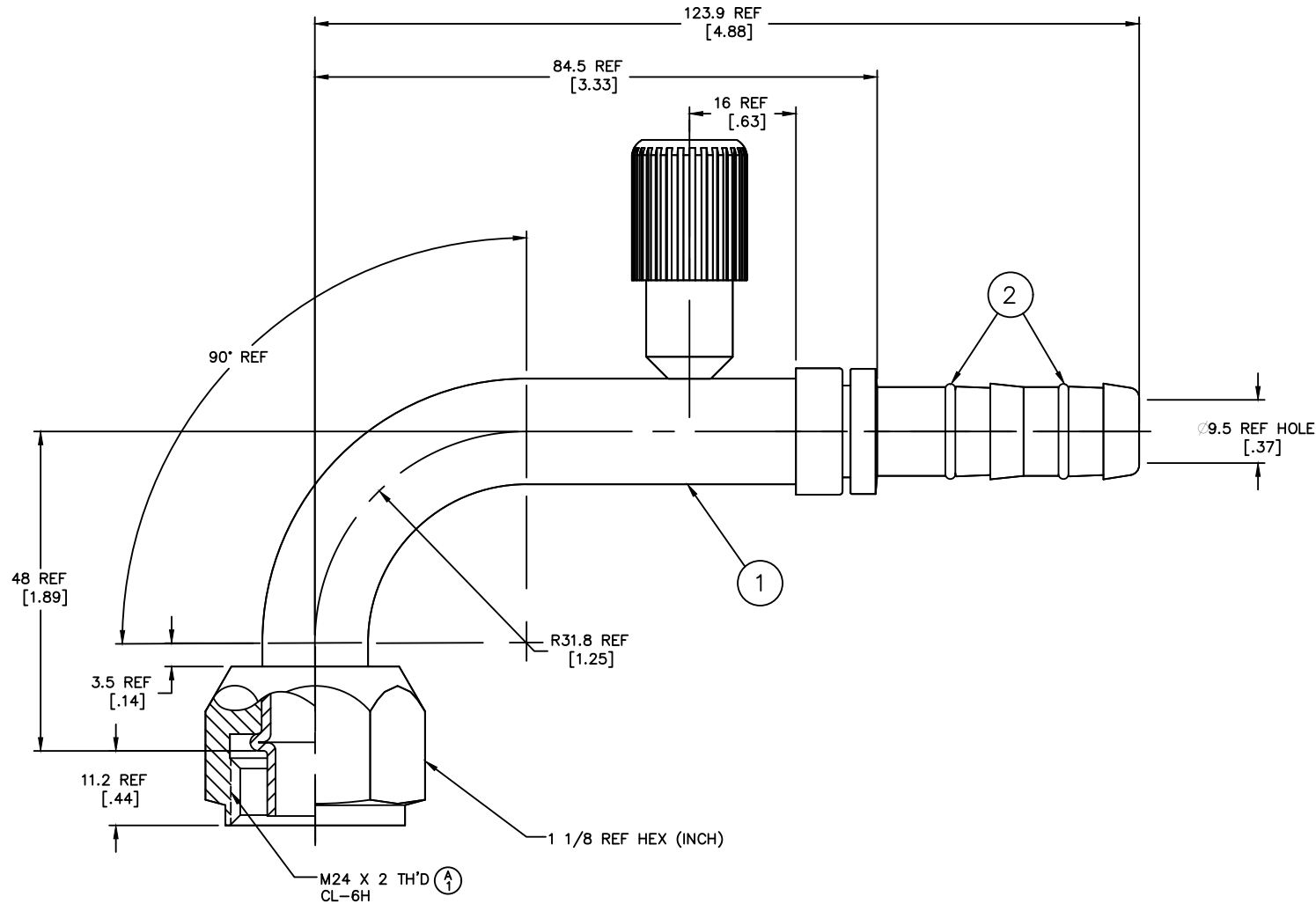


REVISIONS			
REV	DESCRIPTION	DATE	APPROVED
A	1) WAS M24 x 1.5 THREAD CLASS 6h	2013-04-02	0082945-ECO



- 2. LUBRICATE O'RING AND ASSEMBLE TO NIPPLE AS SHOWN.
- 1. DIMENSIONS ARE IN MILLIMETER [INCHES].

FJ3892-01-1010S	FJ2892-01-1010S	1F40106-10			
AEROQUIP PART NUMBER	① NIPPLE ASSEMBLY	② O'RING (2 REQ'D)			
LIST OF MATERIALS					
ITEM NO.	MATERIAL	DRAWN K. CHEESEMAN	FLUID CONVEYANCE DIVISION		
1	STEEL	CHECKED S. MYERS	 DRAWING TITLE FITTING ASSEMBLY 90°, FEMALE O'RING PILOT (LONG) WITH LOW SIDE CHARGE PORT, GH134 HOSE		
2	HNBR	APPROVED R. RUTSCHILLING			
		RELEASE DATE 2003-06-23			
		EN-F24619			
		RPS-2868	SIZE A2	DRAWING NUMBER FJ3892-01-1010	REV A
		THIRD ANGLE PROJECTION	SCALE	DIST U	CAGE CODE 01276
<small>THE REPRODUCTION, DISTRIBUTION AND UTILIZATION OF THIS DOCUMENT AS WELL AS THE COMMUNICATION OF ITS CONTENTS TO OTHERS WITHOUT EXPLICIT AUTHORIZATION IS PROHIBITED. OFFENDERS WILL BE HELD LIABLE FOR THE PAYMENT OF DAMAGES. ALL RIGHT RESERVED IN THE EVENT OF THE GRANT OF A PATENT, UTILITY MODEL OR DESIGN. (PER ISO 16016)</small>					

METRIC

REV. A
SH. FJ3892-01-1010
DWG. NO.