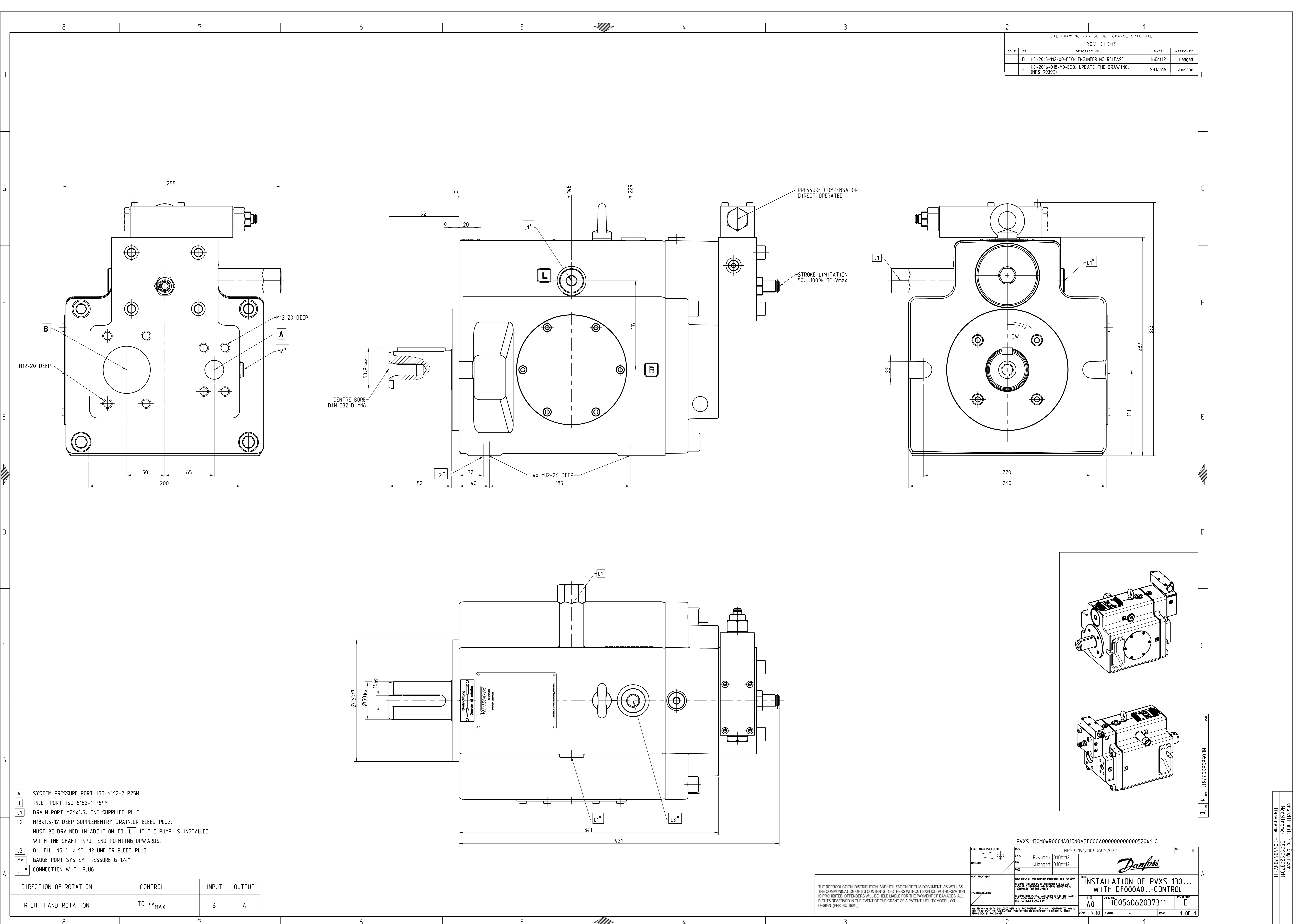


CAE DRAWING ••• DO NOT CHANGE ORIGINAL				
REVISIONS				
ZONE	LTR	DESCRIPTION	DATE	APPROVED
D		HC-2015-112-00-ECO: ENGINEERING RELEASE	16Oct12	I.Hangad
E		HC-2016-018-MO-ECO: UPDATE THE DRAWING. (MPS 99390)	28Jan16	T.Gusche



- [A] SYSTEM PRESSURE PORT ISO 6162-2 P25M
- [B] INLET PORT ISO 6162-1 P64M
- [L1] DRAIN PORT M26x1.5. ONE SUPPLIED PLUG
- [L2] M18x1.5-12 DEEP SUPPLEMENTRY DRAIN OR BLEED PLUG. MUST BE DRAINED IN ADDITION TO [L1] IF THE PUMP IS INSTALLED WITH THE SHAFT INPUT END POINTING UPWARDS.
- [L3] OIL FILLING 1 1/16" -12 UNF OR BLEED PLUG
- [MA] GAUGE PORT SYSTEM PRESSURE G 1/4"
- [...] CONNECTION WITH PLUG

DIRECTION OF ROTATION	CONTROL	INPUT	OUTPUT
RIGHT HAND ROTATION	TO +V <sub>MAX</sub>	B	A

THE REPRODUCTION, DISTRIBUTION, AND UTILIZATION OF THIS DOCUMENT, AS WELL AS THE COMMUNICATION OF ITS CONTENTS TO OTHERS WITHOUT EXPLICIT AUTHORIZATION IS PROHIBITED. OFFENDERS WILL BE HELD LIABLE FOR THE PAYMENT OF DAMAGES. ALL RIGHTS RESERVED IN THE EVENT OF THE GRANT OF A PATENT, UTILITY MODEL, OR DESIGN. (PER ISO 1019)

PVXS-130M4R0001A01SNOADF000A000000000005204610  
MPS87917/HC806062037311

REV: 1  
DATE: 16Oct12  
APP: I.Hangad

**Danfoss**

INSTALLATION OF PVXS-130...  
WITH DF000A...-CONTROL

SHEET: A0  
REVISED: E

SCALE: 7:10  
SHEET: 1 OF 1